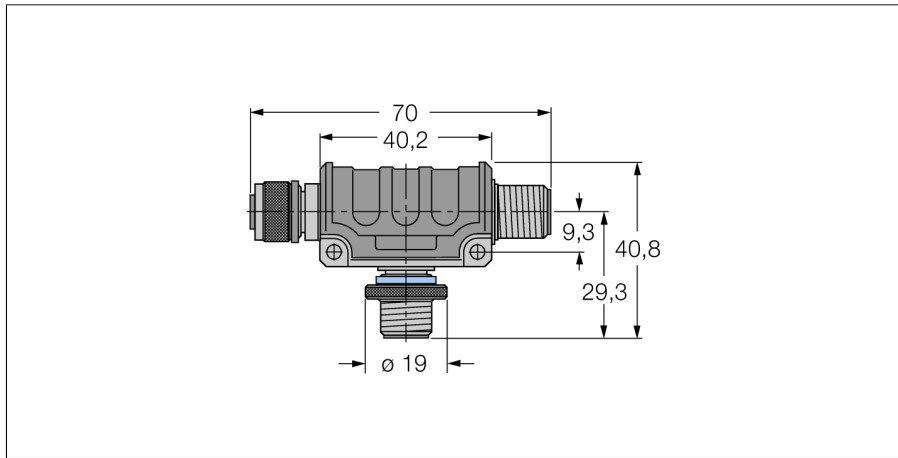
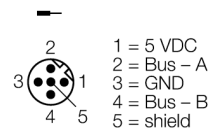
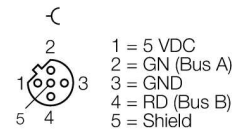


Accessories for fieldbus systems
Simple junction
RKSW4.5[5]-2RSSWS



- **M12 adapter**
- **T piece, 5-pole, reverse-keyed**
- **For use in PROFIBUS-DP applications**

Pin configuration



Type	RKSW4.5[5]-2RSSWS
Ident-No.	6999021
Junction box	female connector, M12 x 1
Number of poles	5-pole
Grip	plastic
Contact carriers	plastic, TPU, black
Contacts	metal, CuZn, nickel-plated
Coupling nut/screw	metal, CuZn, nickel-plated
Connector	male connector, M12 x 1, straight
Number of poles	5-pole
Grip	plastic
Contact carriers	plastic, TPU, black
Contacts	metal, CuZn, gold-plated
Coupling nut/screw	metal, CuZn-Ni, nickel-plated
Seal	plastic
Degree of protection	IP67, only tightened with screws
Mechanical lifespan	min. 100 contact durability
Grip	plastic
Contact carriers	plastic
Contacts	metal, CuZn, gold-plated
Degree of protection	IP67, only when plugged in
Mechanical lifespan	min. 100 contact durability
Rated voltage	max. 250 V
Forward resistance	≤ 5 mΩ
Insulation resistance	≥ 10 ⁹ Ω