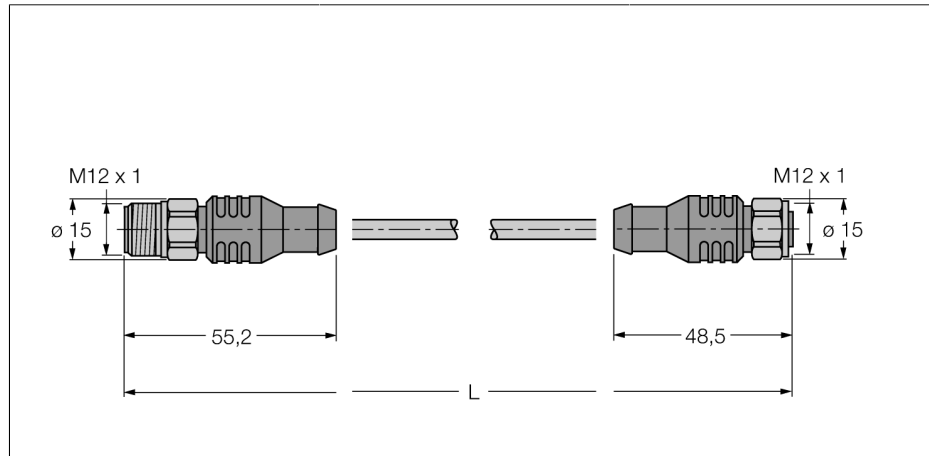


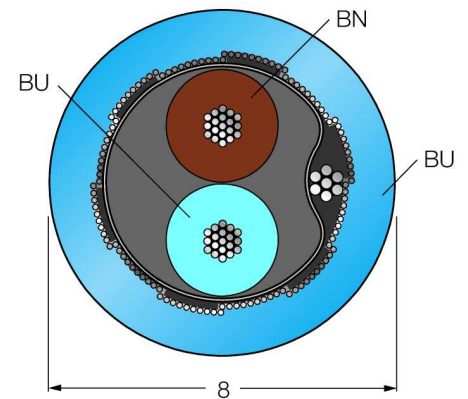
**Fieldbus cables for fieldbus systems
according to IEC61158-2, 4-pole
RSCV-RKCV-FBY48BU-4M/5D**

- Fieldbus cable, type A, acc.to IEC 61158-2
- PVC jacket, blue
- Oil, gas and sunlight resistant
- Temperature range -40...+75 °C
- Cable cross section: 18/7 AWG (0.8 mm²)
- M12 x 1 female, straight, stainless steel
- M12 male, straight, stainless steel
- Cable length 4 m

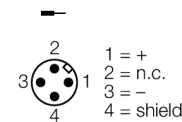


Type code	RSCV-RKCV-FBY48BU-4M/5D
Ident no.	8900480
Connector A side	
Number of pins	male connector, M12 x 1, straight 4
Contacts	metal, CuZn, gold-plated
Contact carriers	plastic, TPU, black
Grip	plastic, PUR, black
Coupling nut/screw	1.4404
Protection class	IP67
Connector B side	
Number of pins	female connector, M12 x 1, straight 4
Contacts	metal, CuZn, gold-plated
Contact carriers	plastic, TPU, black
Grip	plastic, PUR, black
Coupling nut/screw	stainless steel, 1.4404
Protection class	IP67
Cable diameter	
Cable length	7.8mm
Cable sheath	4m
Shield	PVC, blue
	aluminium foil, tinned copper braid and stranded filler drain wire
Max. tensile strength	≤ 90 N
Core insulation	PE-foam with PE-casing
Core colors	BN, BU
Core cross-section	2x0.8mm ²
DC resistance (loop)	43.6 Ω /km
Nom. Impedance	100 ± 20 (31.25 kBit/s) Ω
Rated voltage [Umax]	
Ambient temperature at rest	300 V
In moving state	-40 ... 75°C
UV resistance	-5 ... 50°C
resistance to oil	gem. UL 1581, section 1200
flame-retardant	according to ICEA S82-552 according to IEC 60332-1

Conductor cross-section



pin configuration left



Pin assignment right

