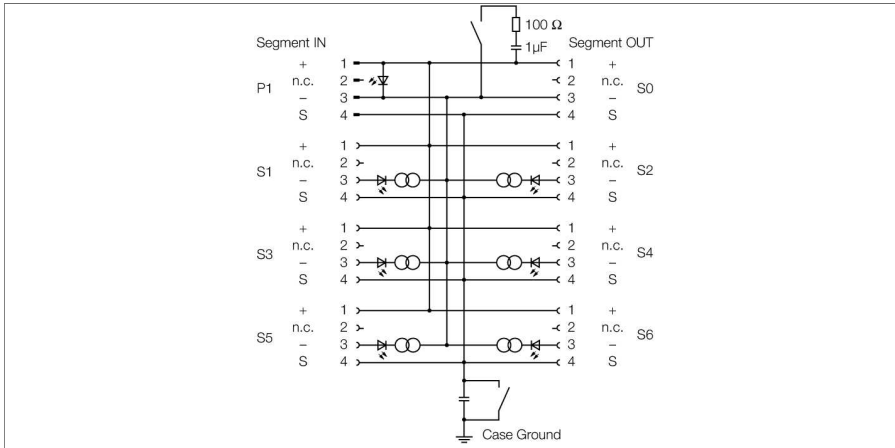


**PROFIBUS-PA  
IP67 junction box, 6-channel  
JBBS-48SC-M613/EX**



The 6-channel Ex junction box JBBS-48SC-M613/EX is designed for PROFIBUS-PA systems.

The junction is equipped with an adjustable short-circuit limit. The following max. current limitations can be adjusted via a rotary switch: 30, 35, 45 and 60 mA.

The housing is made of powder-coated die-cast aluminium and features protection class IP67.

The junction box is equipped with a selectable bus terminating resistor. The according switch is integrated in the housing on the board.

Condensation in the housing is prevented by a breather.

The shield is capacitively coupled to the housing potential. A switch for direct coupling of the shield and housing is implemented.

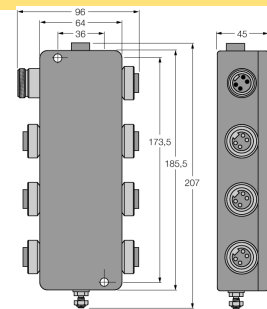
**Note:** Sufficient equipotential bonding for the installation has to be provided. The device is connected to the equipotential bond via the housing's M5 x 1 grounding bolt.

- Entity and FISCO compliant according to IEC 60079-11
- Junction box for wall mounting with stainless steel 7/8" flange connections
- Short-circuit protection per drop line/spur
- integrated terminating resistor (switch-in)
- cable shielding: capacitive or direct connection to housing potential selectable via switch
- isolated support terminal for optional protective conductor incorporated in cable
- powder-coated die-cast aluminium housing
- pressure compensation element for protection against condensation water
- connection of the housing potential via an M5 x 1 bolt

**PROFIBUS-PA**  
**IP67 junction box, 6-channel**  
**JBBS-48SC-M613/EX**

<b>Type code</b>	JBBS-48SC-M613/EX
Ident no.	6611415
<b>Fieldbus standard</b>	IEC 61158-2
<b>Operating voltage range</b>	12...32 VDC
Current self-consumption	≤ 7 mA
Voltage drop	≤ 0.3 V
<b>Short-circuit protection</b>	≤ 30, ≤ 35, ≤ 45, ≤ 60mA
<b>Indication</b>	
Operational readiness	1 x green
Short-circuit message	6 x red
<b>Ex approval acc. to conformity certificate</b>	PTB 03 ATEX 2236
Entity Parameter	
Max. output voltage $U_o$	≤ 24 V
Max. output current $I_o$	≤ 250 mA
Max. output power $P_o$	≤ 2560 mW
Max. input voltage $U_i$	≤ 24 V
Max. input current $I_i$	≤ 250 mA
Max. input power $P_i$	≤ 2560 mW
FISCO parameter according to IEC 60079-11	
Max. output voltage $U_o$	≤ 17.5 V
Max. output current $I_o$	≤ 380 mA
Max. output power $P_o$	≤ 5320 mW
Max. input voltage $U_i$	≤ 17.5 V
Max. input current $I_i$	≤ 380 mA
Max. input power $P_i$	≤ 5320 mW
Internal inductance/capacitance L/C,	
	trunk (in/out): negligible / ≤ 5.00 nF per field circuit: negligible / ≤ 0.82 nF Σ Field circuits: negligible / ≤ 5.00 nF
Device designation	<ul style="list-style-type: none"> <li>⊕ II 2 G Ex ib IIC T4 Gb</li> <li>⊕ II 2 (1) G Ex ia [ja Ga] IIC T4 Gb</li> <li>⊕ II 2 (1D) G Ex ia [ja IIIC Da] IIB T4 Gb</li> <li>⊕ II 2 (2D) G Ex ib [ib IIIC Db] IIB T4 Gb</li> </ul> FISCO / Entity field device
<b>Electrical connection</b>	7/8" flange connection
Segment IN	1 x 7/8" - connector
Segment OUT	1 x 7/8" - female connector
Drop line	6 x 7/8" - female connector
Earthing bolt	M5 x 1
<b>Protection class</b>	IP67
MTTF	117 years acc. to SN 29500 (Ed. 99) 40 °C
Ambient temperature	-30...+70 °C
Housing material	aluminium, die-cast, powder-coated
Housing color	black/yellow
Dimensions	64x 185.5x 45 mm
Connection mode	wall mounting

**Dimensions**



**pin assignment**

