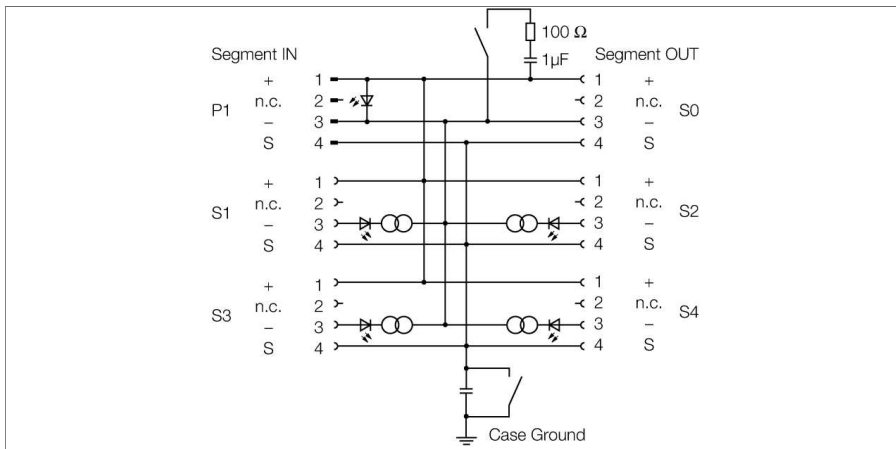


PROFIBUS-PA
IP67 junction box, 4-channel
JBBS-48SC-M413/EX



The 4-channel Ex junction box JBBS-48SC-M413/EX is designed for PROFIBUS-PA systems.

The junction is equipped with an adjustable short-circuit limit. The following max. current limitations can be adjusted via a rotary switch: 30, 35, 45 and 60 mA.

The housing is made of powder-coated die-cast aluminium and features protection class IP67.

The junction box is equipped with a selectable bus terminating resistor. The according switch is integrated in the housing on the board.

Condensation in the housing is prevented by a breather.

The shield is capacitively coupled to the housing potential. A switch for direct coupling of the shield and housing is implemented.

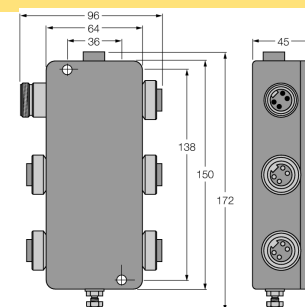
Note: Sufficient equipotential bonding for the installation has to be provided. The device is connected to the equipotential bond via the housing's M5 x 1 grounding bolt.

- Entity and FISCO compliant according to IEC 60079-11
- Junction box for wall mounting with stainless steel 7/8" flange connections
- Short-circuit protection per drop line/spur
- integrated terminating resistor (switch-in)
- cable shielding: capacitive or direct connection to housing potential selectable via switch
- isolated support terminal for optional protective conductor incorporated in cable
- powder-coated die-cast aluminium housing
- pressure compensation element for protection against condensation water
- connection of the housing potential via an M5 x 1 bolt

PROFIBUS-PA
IP67 junction box, 4-channel
JBBS-48SC-M413/EX

Type code	JBBS-48SC-M413/EX
Ident no.	6611413
Fieldbus standard	IEC 61158-2
Operating voltage range	12...32 VDC
Current self-consumption	≤ 7 mA
Voltage drop	≤ 0.3 V
Short-circuit protection	≤ 30, ≤ 35, ≤ 45, ≤ 60mA
Indication	
Operational readiness	1 x green
Short-circuit message	4 x red
Ex approval acc. to conformity certificate	PTB 03 ATEX 2236
Entity Parameter	
Max. output voltage U_o	≤ 24 V
Max. output current I_o	≤ 250 mA
Max. output power P_o	≤ 2560 mW
Max. input voltage U_i	≤ 24 V
Max. input current I_i	≤ 250 mA
Max. input power P_i	≤ 2560 mW
FISCO parameter according to IEC 60079-11	
Max. output voltage U_o	≤ 17.5 V
Max. output current I_o	≤ 380 mA
Max. output power P_o	≤ 5320 mW
Max. input voltage U_i	≤ 17.5 V
Max. input current I_i	≤ 380 mA
Max. input power P_i	≤ 5320 mW
Internal inductance/capacitance L/C,	
	trunk (in/out): negligible / ≤ 5.00 nF per field circuit: negligible / ≤ 0.82 nF Σ Field circuits: negligible / ≤ 5.00 nF
Device designation	<ul style="list-style-type: none"> ⊕ II 2 G Ex ib IIC T4 Gb ⊕ II 2 (1) G Ex ia [ja Ga] IIC T4 Gb ⊕ II 2 (1D) G Ex ia [ja IIIC Da] IIB T4 Gb ⊕ II 2 (2D) G Ex ib [ib IIIC Db] IIB T4 Gb FISCO / Entity field device
Electrical connection	7/8" flange connection
Segment IN	1 x 7/8" - connector
Segment OUT	1 x 7/8" - female connector
Drop line	4 x 7/8" - female connector
Earthing bolt	M5 x 1
Protection class	IP67
MTTF	117 years acc. to SN 29500 (Ed. 99) 40 °C
Ambient temperature	-30...+70 °C
Housing material	aluminium, die-cast, powder-coated
Housing color	black/yellow
Dimensions	64x 150x 45 mm
Connection mode	wall mounting

Dimensions



pin assignment

