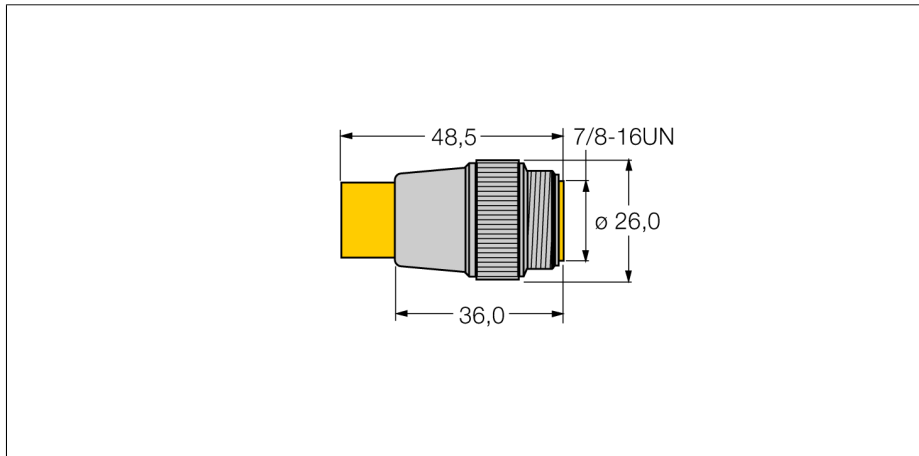
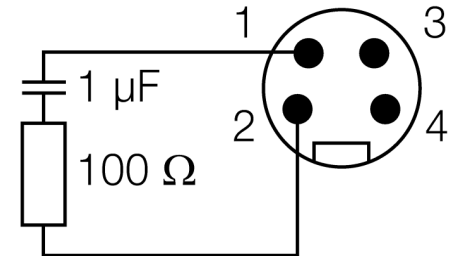


Accessories for fieldbus systems
Bus termination resistor
RSV49-TR

- 7/8" male
- 4-pole, straight, stainless steel coupling nut
- For use in FOUNDATION™ fieldbus applications

Wiring diagram



Type code	RSV49-TR
Ident no.	6602094
Connector A side	male connector, 7/8"
Number of pins	4
Contacts	metal, CuZn, gold-plated
Contact carriers	plastic, PUR, black
Grip	plastic, PUR, yellow
Protection class	IP67, (screwed together)