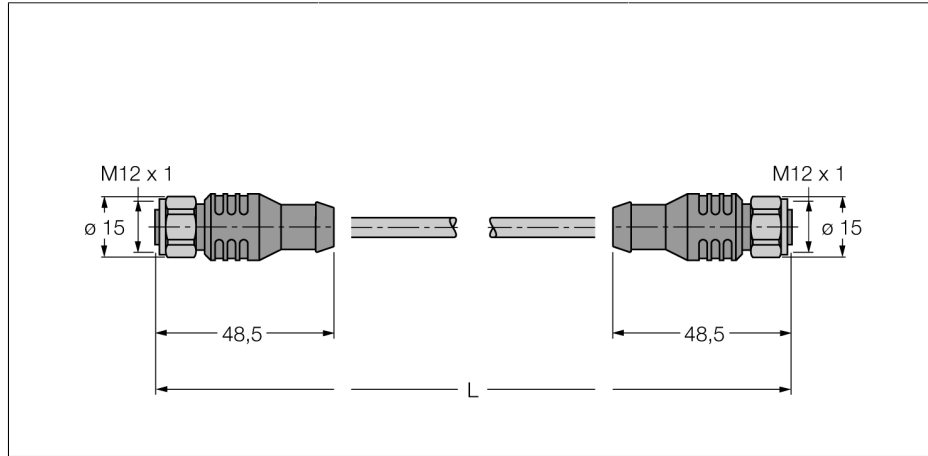
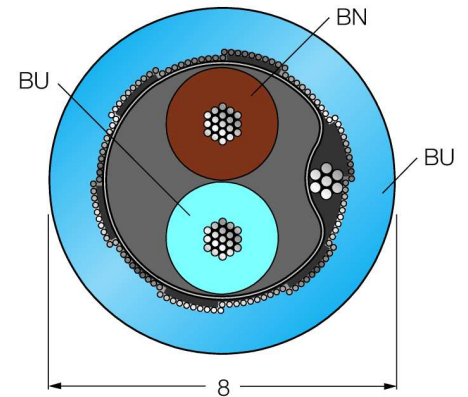


**Fieldbus cables for fieldbus systems  
according to IEC61158-2, 4-pole  
RKCV-RKCV-FBY49BU-3M/5D**

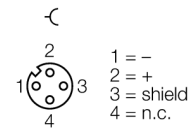


- Fieldbus cable, type A, acc.to IEC 61158-2
- PVC jacket, blue
- Oil, gas and sunlight resistant
- Temperature range -40...+75 °C
- Cable cross section: 18/7 AWG (0.8 mm<sup>2</sup>)
- M12 x 1 female, straight, stainless steel
- M12 x 1 female, straight, stainless steel
- Cable length 3 m

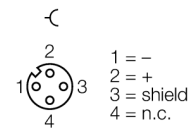
**Conductor cross-section**



**pin configuration left**



**Pin assignment right**



<b>Type code</b>	RKCV-RKCV-FBY49BU-3M/5D
Ident no.	8900628
<b>Connector A side</b>	female connector, M12 x 1, straight
Number of pins	4
Contacts	metal, CuZn, gold-plated
Contact carriers	plastic, TPU, black
Grip	plastic, PUR, black
Coupling nut/screw	1.4404
Protection class	IP67
<b>Connector B side</b>	female connector, M12 x 1, straight
Number of pins	4
Contacts	metal, CuZn, gold-plated
Contact carriers	plastic, TPU, black
Grip	plastic, PUR, black
Coupling nut/screw	stainless steel, 1.4404
Protection class	IP67
<b>Cable diameter</b>	7.8mm
Cable length	3m
Cable sheath	PVC, blue
Shield	aluminium foil, tinned copper braid and stranded filler drain wire
Max. tensile strength	≤ 90 N
Core insulation	PE-foam with PE-casing
Core colors	BN, BU
Core cross-section	2x0.8mm <sup>2</sup>
DC resistance (loop)	43.6 Ω /km
Nom. Impedance	100 ± 20 (31.25 kBit/s) Ω
<b>Rated voltage [U<sub>max</sub>]</b>	300 V
Ambient temperature at rest	-40 ... 75°C
In moving state	-5 ... 50°C
UV resistance	gem. UL 1581, section 1200
resistance to oil	according to ICEA S82-552
flame-retardant	according to IEC 60332-1