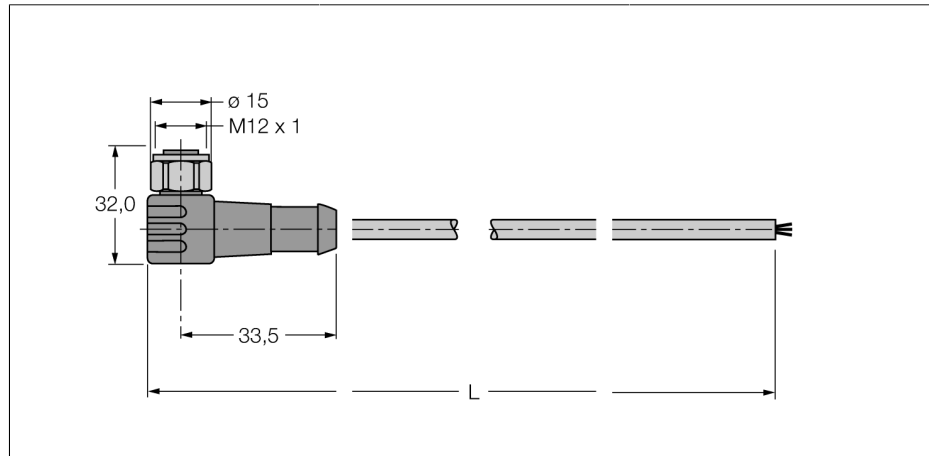
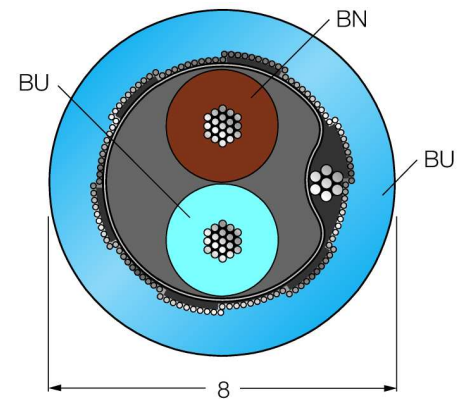


**Fieldbus cables for fieldbus systems
according to IEC61158-2, 4-pole
WKCV-FBY49BU-10M/5D**

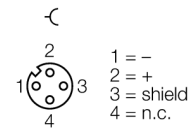
- Fieldbus cable, type A, acc.to IEC 61158-2
- PVC jacket, blue
- Oil, gas and sunlight resistant
- Temperature range -40...+75 °C
- Cable cross section: 18/7 AWG (0.8 mm²)
- Open end
- M12 x 1 female, angled, stainless steel
- Cable length 10 m



Conductor cross-section



pin configuration left



| | |
|--|--|
| Type code | WKCV-FBY49BU-10M/5D |
| Ident no. | 8900503 |
| Connector A side | female connector, M12 x 1, angled |
| Number of pins | 4 |
| Contacts | metal, CuZn, gold-plated |
| Contact carriers | plastic, TPU, black |
| Grip | plastic, PUR, black |
| Coupling nut/screw | 1.4404 |
| Protection class | IP67 |
| Cable diameter | 7.8mm |
| Cable length | 10m |
| Cable sheath | PVC, blue |
| Shield | aluminium foil, tinned copper braid and stranded filler drain wire |
| Max. tensile strength | ≤ 90 N |
| Core insulation | PE-foam with PE-casing |
| Core colors | BN, BU |
| Core cross-section | 2x0.8mm ² |
| DC resistance (loop) | 43.6 Ω /km |
| Nom. Impedance | 100 ± 20 (31.25 kBit/s) Ω |
| Rated voltage [U_{max}] | 300 V |
| Ambient temperature at rest | -40 ... 75°C |
| In moving state | -5 ... 50°C |
| UV resistance | gem. UL 1581, section 1200 |
| resistance to oil | according to ICEA S82-552 |
| flame-retardant | according to IEC 60332-1 |