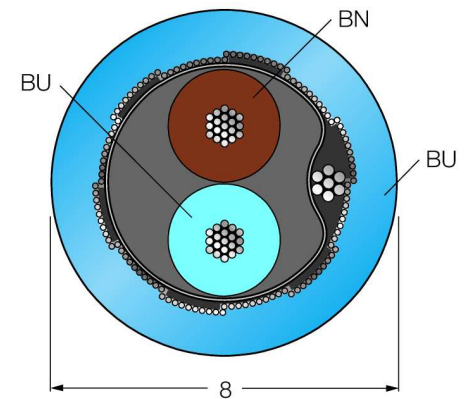


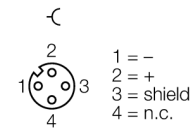
**Fieldbus cables for fieldbus systems
according to IEC61158-2, 4-pole
RKCV-RKCV-FBY49BU-1,5M/5D**

- Fieldbus cable, type A, acc.to IEC 61158-2
- PVC jacket, blue
- Oil, gas and sunlight resistant
- Temperature range -40...+75 °C
- Cable cross section: 18/7 AWG (0.8 mm²)
- M12 x 1 female, straight, stainless steel
- M12 x 1 female, straight, stainless steel
- Cable length 1.5 m

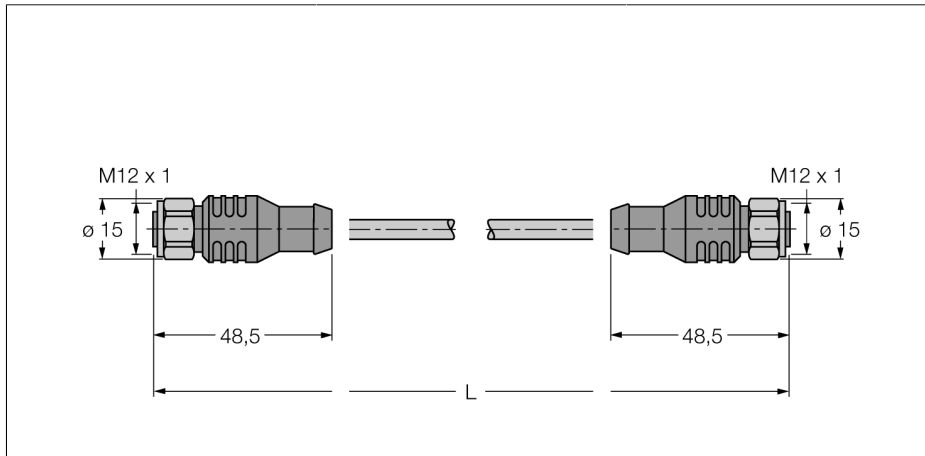
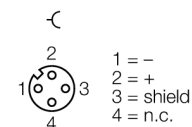
Conductor cross-section



pin configuration left



Pin assignment right



Type code	RKCV-RKCV-FBY49BU-1,5M/5D
Ident no.	8900549
Connector A side	female connector, M12 x 1, straight
Number of pins	4
Contacts	metal, CuZn, gold-plated
Contact carriers	plastic, TPU, black
Grip	plastic, PUR, black
Coupling nut/screw	1.4404
Protection class	IP67
Connector B side	female connector, M12 x 1, straight
Number of pins	4
Contacts	metal, CuZn, gold-plated
Contact carriers	plastic, TPU, black
Grip	plastic, PUR, black
Coupling nut/screw	stainless steel, 1.4404
Protection class	IP67
Cable diameter	7.8mm
Cable length	1.5m
Cable sheath	PVC, blue
Shield	aluminium foil, tinned copper braid and stranded filler drain wire
Max. tensile strength	≤ 90 N
Core insulation	PE-foam with PE-casing
Core colors	BN, BU
Core cross-section	2x0.8mm ²
DC resistance (loop)	43.6 Ω /km
Nom. Impedance	100 ± 20 (31.25 kBit/s) Ω
Rated voltage [U_{max}]	300 V
Ambient temperature at rest	-40 ... 75°C
In moving state	-5 ... 50°C
UV resistance	gem. UL 1581, section 1200
resistance to oil	according to ICEA S82-552
flame-retardant	according to IEC 60332-1