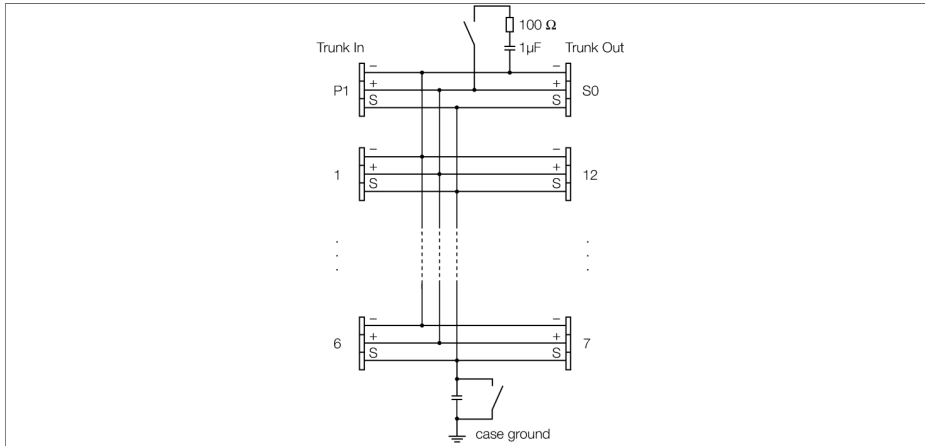


**FOUNDATION™ fieldbus and PROFIBUS-PA
IP20 junction box, 12-channel
JRBS-40-12C/EX**

TURCK

Industrial
Automation



The 12-channel Ex junction box JRBS-40-12C/EX is designed for fieldbus systems according to IEC 61158-2, i.e. it is suited for both PROFIBUS PA and FOUNDATION™ fieldbus.

The housing is made of aluminium and features protection degree IP20.

The junction box is equipped with a selectable bus terminating resistor. The according switch is integrated in the housing on the board.

The shield is capacitively coupled to the housing potential. A switch for direct coupling of the shield and housing is implemented.

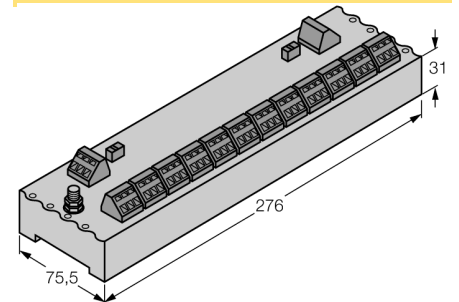
Attention: Sufficient equipotential bonding of the installation must be ensured. The device is connected via the bolt of the housing to the system's potentializer.

Accessories: To increase the degree of protection, there are various aluminium and stainless steel housings with IP6x rating and various cable glands available on request.

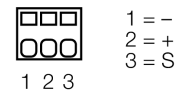
- Entity and FISCO compliant according to IEC 60079-11
- Junction box for DIN rail mounting
- Switch-in terminating resistor
- Cable shielding: Capacitive or direct connection with housing potential selectable via switch
- aluminium housing

**FOUNDATION™ fieldbus and PROFIBUS-PA
IP20 junction box, 12-channel
JRBS-40-12C/EX**

Dimensions



Terminal assignment



| | |
|---|--|
| Type code | JRBS-40-12C/EX |
| Ident no. | 6611454 |
| Fieldbus standard | IEC 61158-2 |
| Operating voltage range | 9...32 VDC |
| Ex approval acc. to conformity certificate | PTB 05 ATEX 2002 |
| Entity Parameter | |
| Max. output voltage U_o | ≤ 24 V |
| Max. output current I_o | ≤ 250 mA |
| Max. output power P_o | ≤ 2560 mW |
| Max. input voltage U_i | ≤ 24 V |
| Max. input current I_i | ≤ 250 mA |
| Max. input power P_i | ≤ 2560 mW |
| FISCO parameter acc. to IEC 60079-11 | |
| Max. output voltage U_o | ≤ 17.5 V |
| Max. output current I_o | ≤ 380 mA |
| Max. output power P_o | ≤ 5320 mW |
| Max. input voltage U_i | ≤ 17.5 V |
| Max. input current I_i | ≤ 380 mA |
| Max. input power P_i | ≤ 5320 mW |
| Internal inductance/capacitance L/C, | Trunk (In/Out): negligible / ≤ 5.00 nF per field current circuit: negligible / ≤ 0.33 nF Σ field current circuits: negligible / ≤ 5.00 nF |
| Device designation | Ⓢ II 2 G Ex ib IIC/IIB T4 Ⓢ II 2(1) G Ex ia IIC/IIB T4 Ⓢ II 2 G (2D) Ex ib [ibD] IIB T4 Ⓢ II 2(1) G (1D) Ex ia [iaD] IIB T4 FISCO / Entity field device |
| Ex approval acc. to conformity certificate | TURCK Ex-13002H X |
| Device designation | Ⓢ II 3 G Ex nA IIC T4 Gc |
| Device designation | Ⓢ II 3 G Ex ic IIC T4 Gc |
| Electrical connection | cage clamp terminals |
| Terminal cross-section | 2.5 mm ² |
| Earthing bolt | M5 x 1 |
| Protection class | IP20 |
| MTTF | 705 years acc. to SN 29500 (Ed. 99) 40 °C |
| Ambient temperature | -25...+70 °C |
| Housing material | Aluminium |
| Housing color | Black |
| Dimensions | 276x 31x 75.5 mm |
| Connection mode | snap-fit on DIN rail (DIN 60715) |