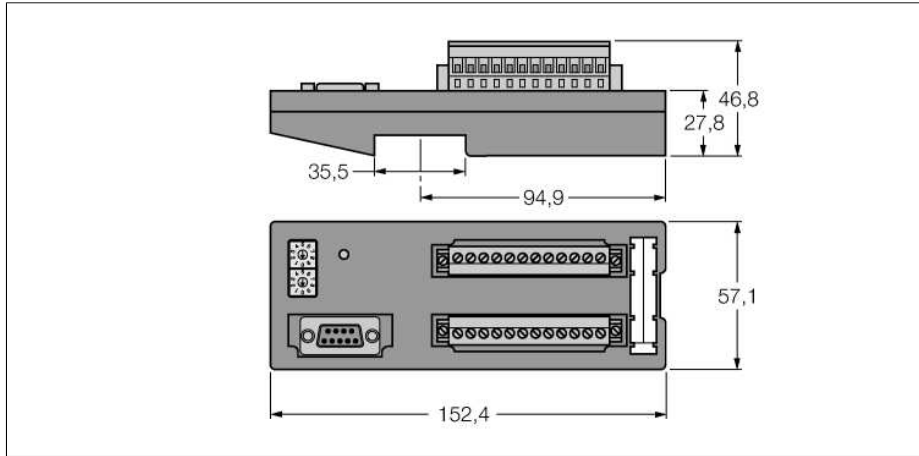
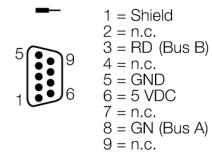


**compact I/O station for PROFIBUS-DP**  
**16 digital inputs**  
**FDP20-16S**

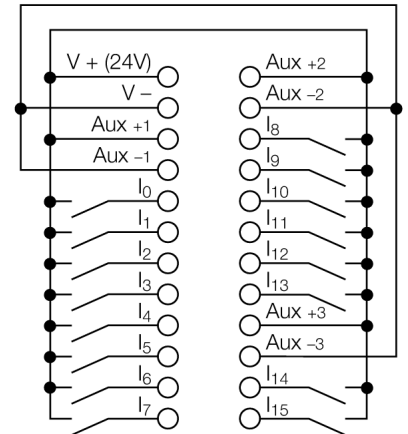


- rotary coding switch for adjustment of the node address
- degree of protection IP20
- 3 I/O power supply groups each galvanically isolated
- 16 digital inputs, 24VDC
- pnp

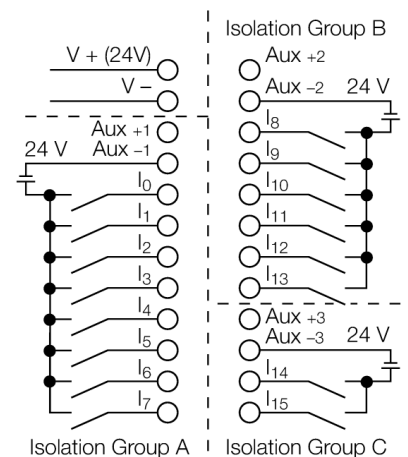
**Fieldbus**



**Wiring diagram**



**Wiring diagram**



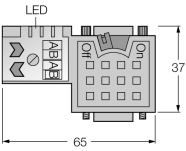
<b>Type code</b>	FDP20-16S
Ident no.	6611465
<b>Number of channels</b>	16
Electrical isolation	I/Os to PROFIBUS
internal power consumption	<75 mA plus I/O supply
Supply voltage	24 VDC
Admissible range field supply	18...30VDC
Voltage supply connection	Screw connection max. 1.5mm <sup>2</sup>
<b>Fieldbus transmission rate</b>	9.6 kbps ... 12 Mbps
Fieldbus addressing range	1...99
Fieldbus addressing	2 decimally coded rotary switches
<b>Inputs</b>	
Input voltage	18...30VDC
Low level signal voltage	< 4 V
High level signal voltage	8...24 V
Low level signal current	< 0.5 mA
High level signal current	1...3.4 mA
Input delay	2.5 ms
<b>LEDs Bus</b>	green: Communication red: No communication off: power supply (V+) <18VDC
<b>Dimensions (W x L x H)</b>	57.1x152.2x46.8mm
Operating temperature	-40...55°C
Protection class	IP20
MTTF	255 years acc. to SN 29500 (Ed. 99) 20°C
Approvals	CE, UL
UL conditions	pol. deg.2; surr. air temp. max. 40°C; cl.2 ps req.; tight. torque max. 0.56-0.79 Nm

**compact I/O station for PROFIBUS-DP**  
**16 digital inputs**  
**FDP20-16S**

**TURCK**

Industrial  
Automation

**Wiring accessories**

Type code	Ident no.	Description	Dimension drawing
FW-D9TLEDKU9PG-W-FC-ME-SH-8,5	6604220	9-pole Sub-D - connector for PROFIBUS-DP, all-metal, 90°	
FW-D9TLEDKU9XX-G-FC-ME-SH-8,5	6604221	9-pole Sub-D - connector for PROFIBUS-DP, all-metal, 0°	