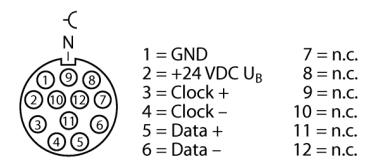


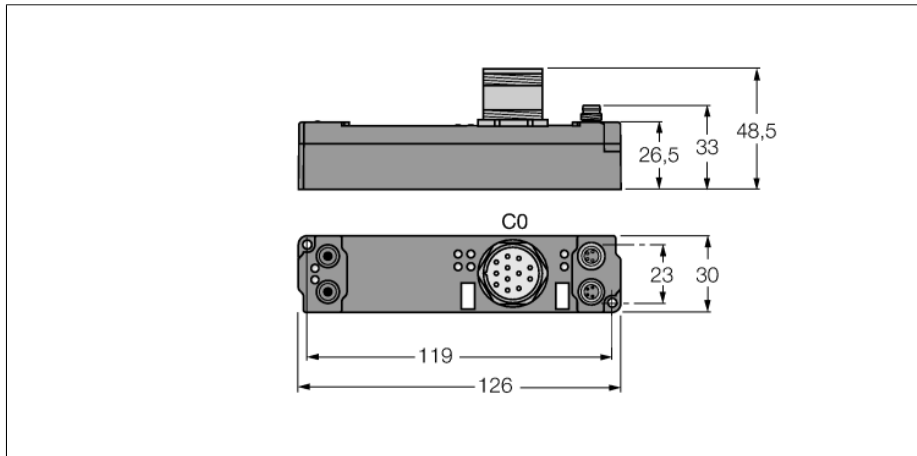
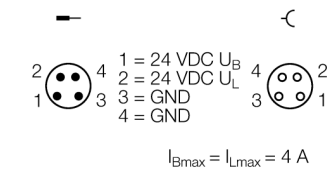
**piconet® extension module for IP-Link  
single channel SSI sensor interface  
SNNE-10S-0005**

- SSI encoder interface
- 1-channel
- Parametrizable functions
- Supported via I/O-ASSISTANT 2
- Direct connection to the IP link
- Fibre-glass reinforced housing
- Encapsulated module electronics
- Metal connector
- Degree of protection IP67

**Encoder - M23 x 1**



**Voltage supply M8 x 1**



<b>Type code</b>	SNNE-10S-0005
Ident no.	6824214
<b>Operating / load voltage</b>	20...29 VDC
Operating current	≤ 55 mA
<b>Fibre-optic length</b>	≤ 15 m
<b>Bit transfer</b>	differential (RS485)
Transmission rate	variable up to 1 MHz (default 250 Hz)
Serial input	24 bit
Data direction	read
Sensor supply	24 VDC from load voltage
Electrical isolation	operating voltage to RS232
<b>Dimensions (W x L x H)</b>	30x126x26.5mm
Operating temperature	0...+55 °C
Storage temperature	-25 to 85 °C
Vibration test	as per EN 60068-2-6
Shock test	acc. to DIN EN 60068-2-27
Electro-magnetic compatibility	according to EN 61000-6-2/EN 61000-6-4
Protection class	IP67
Approvals	CE, cULus

**piconet® extension module for IP-Link  
single channel SSI sensor interface  
SNNE-10S-0005**

Data in process image

Pre-conditions	Address	Input data		Output data	
<b>Compact mapping:</b> Starting with D3 in "Low-Byte" word 0 all other bytes follow immediately (highlighted in grey).  <b>Complex mapping:</b> Data are mapped with control and status byte	Word	High-Byte	Low-Byte	High-Byte	Low-Byte
	0	D3	SB	Reg1	CB
	1	D1	D2	reserved	Reg0
	2	reserved	D0	reserved	reserved