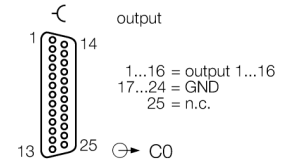


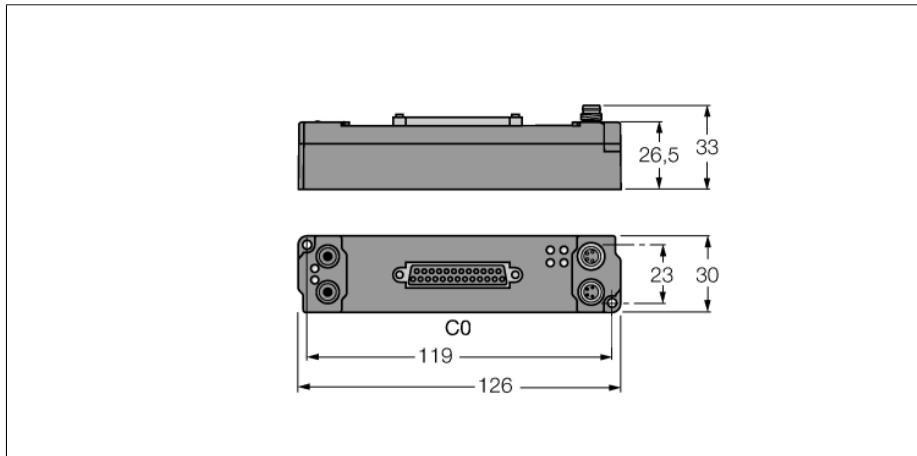
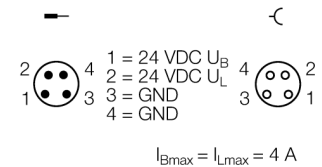
piconet® extension module for IP-Link
16 digital outputs 0.5 A (Σ 4 A)
SNNE-0016D-0002

- Direct connection to the IP link
- Fibre-glass reinforced housing
- Encapsulated module electronics
- Metal connector
- Degree of protection IP67

Sub-D output



Voltage supply M8 x 1



Type code	SNNE-0016D-0002
Ident no.	6824476
Operating / load voltage	20...29 VDC
Operating current	≤ 25 mA
Fibre-optic length	≤ 15 m
Number of channels	16 digital outputs acc. to EN 61131-2
Output voltage	20...29 VDC from load voltage
Output current per channel	0.5 A (Σ 4 A), short-circuit proof
Load type	resistive, inductive, lamp load
Switching frequency	≤ 500 Hz
Simultaneity factor	0.5
Dimensions (W x L x H)	30x126x26.5mm
Operating temperature	0...+55 °C
Storage temperature	-25 to 85 °C
Vibration test	as per EN 60068-2-6
Shock test	acc. to DIN EN 60068-2-27
Electro-magnetic compatibility	according to EN 61000-6-2/EN 61000-6-4
Protection class	IP20
Approvals	CE, cULus

piconet® extension module for IP-Link
16 digital outputs 0.5 A (Σ 4 A)
SNNE-0016D-0002

Data in process image

		Bit 7	Bit 6	Bit 5	Bit 4	Bit 3	Bit 2	Bit 1	Bit 0	
PROFIBUS-DP coupling module: "Byte alignment" is disabled (default) and byte n has been used halfway. DeviceNet™, CANopen, INTERBUS, Ethernet coupling module: Byte n has been used halfway. Up to 8 bit user data are mapped.	Output	Byte n	C0P4	C0P3	C0P2	C0P1	is used by the physically preceding bit-oriented extension module connected via the IP-Link.			
		Byte n+1	C0P12	C0P11	C0P10	C0P9	C0P8	C0P7	C0P6	C0P5
		Byte n+2	is used by the physically following bit-oriented extension module connected via the IP-Link.				C0P16	C0P15	C0P14	C0P13
PROFIBUS-DP coupling module: "Byte alignment" is disabled (default) and the previous byte has been completely used or "byte alignment" is active. DeviceNet™, CANopen, INTERBUS, Ethernet coupling module: The previous byte has been completely used. Up to 8 bit user data are mapped.	Output	Byte n	C0P8	C0P7	C0P6	C0P5	C0P4	C0P3	C0P2	C0P1
		Byte n+1	C0P16	C0P15	C0P14	C0P13	C0P12	C0P11	C0P10	C0P9
		C... = Connector no. – P... = Pin no.								