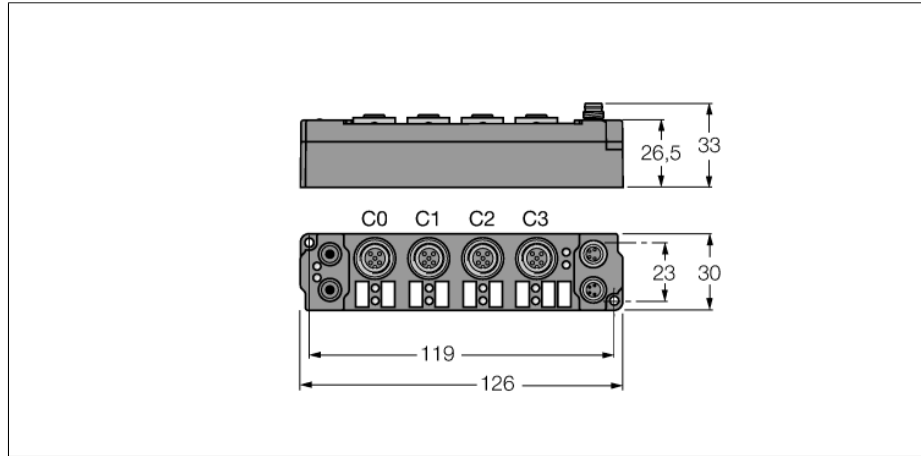
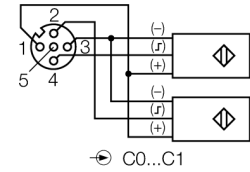


piconet® extension module for IP-Link
8 digital pnp inputs filter 3 ms
SNNE-0800D-0004

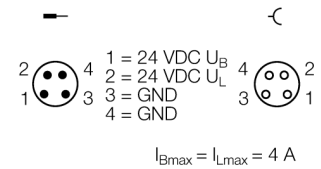


- Direct connection to the IP link
- Fibre-glass reinforced housing
- Encapsulated module electronics
- Metal connector
- Degree of protection IP67

input M12 x 1



Voltage supply M8 x 1



Type code	SNNE-0800D-0004
Ident no.	6824203
Operating / load voltage	20...29 VDC
Operating current	≤ 25 mA
Fibre-optic length	≤ 15 m
Number of channels	8 digital inputs acc. to EN 61131-2
Input voltage	20...29 VDC via operating voltage
Low level signal voltage	-3...5 VDC (EN 61131-2, type 2)
High level signal voltage	11...30 VDC (EN 61131-2, type 2)
Input delay	3 ms
Max. input current	6 mA
Dimensions (W x L x H)	30x126x26.5mm
Operating temperature	0...+55 °C
Storage temperature	-25 to 85 °C
Vibration test	as per EN 60068-2-6
Shock test	acc. to DIN EN 60068-2-27
Electro-magnetic compatibility	according to EN 61000-6-2/EN 61000-6-4
Protection class	IP67
Approvals	CE, cULus

piconet® extension module for IP-Link
8 digital pnp inputs filter 3 ms
SNNE-0800D-0004

Data in process image

		Bit 7	Bit 6	Bit 5	Bit 4	Bit 3	Bit 2	Bit 1	Bit 0	
Valid, if the coupling module parameter byte alignment is disabled (default) and byte n has been used halfway. Up to 8 bit input data are mapped.	Input	Byte n (M8)	C3P4	C2P4	C1P4	C0P4	is used by the physically preceding bit-oriented extension module connected via the P Link.			
		Byte n (M12)	C1P2	C1P4	C0P2	C0P4				
		Byte n+1 (M8)	is used by the physically following bit-oriented extension module connected via the P Link.				C7P4	C6P4	C5P4	C4P4
		Byte n+1 (M12)					C3P2	C3P4	C2P2	C2P4
Valid, if the coupling module parameter byte alignment is active or disabled (default) and the previous byte has been completely used. Up to 8 bit input data are mapped.	Input	Byte n (M8)	C7P4	C6P4	C5P4	C4P4	C3P4	C2P4	C1P4	C0P4
		Byte n (M12)	C3P2	C3P4	C2P2	C2P4	C1P2	C1P4	C0P2	C0P4

C... = Connector no. – P... = Pin no.