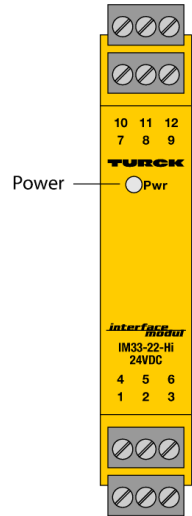
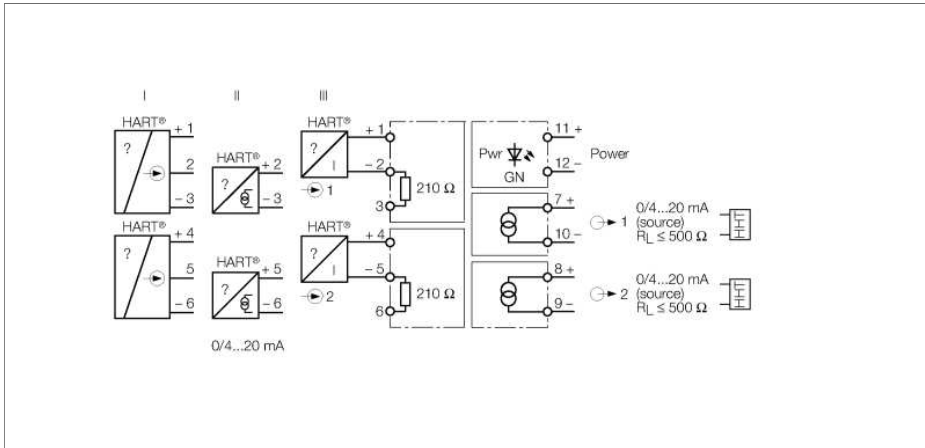


**HART® Isolating transducer
2-channel
IM33-22-HI/24VDC**



The 2-channel HART® isolating transducer IM33-22-HI/24VDC is designed to operate intrinsically safe HART® transducers. In addition to analog signals, the isolating transducer also transfers digital HART® communication signals bidirectionally.

Alternatively, active 2-wire HART® transmitters (II) and passive 3-wire HART® transmitters (I) can be operated.

The device features 0/4...20 mA input and output circuits. The green LED indicates operational readiness.

The input signals are transferred 1:1 without attenuation to the outputs in the non-Ex area.

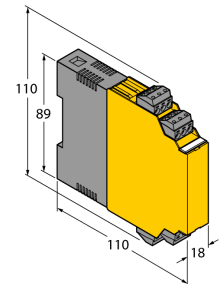
Due to the 1:1 transmission characteristic, wire-break or short-circuit of the measuring transducer circuit are indicated as currents of 0 mA resp. > 22.5 mA.

The removable terminal blocks feature test sockets (Ø 2 mm) for connection of a HART® handheld. Other device variants are available on request.

- Power supply of 2-wire measuring transducers with HART® communication as well as connection to active 2-wire and passive 3-wire transmitters
- Input circuit: 0/4...20 mA
- Output circuit: 0/4...20 mA
- SIL 2
- Removable terminal blocks, screwable, 2 mm test socket
- Complete galvanic separation

**HART® Isolating transducer
2-channel
IM33-22-HI/24VDC**

Dimensions



Type code	IM33-22-HI/24VDC
Ident no.	7506564
Nominal voltage	24 VDC
Operating voltage range	19...29 VDC
Power consumption	≤ 3.2 W
Transmitter connection	
Supply voltage	≥ 17 V
Current input	0/4...20 mA
Input resistance (current)	250 Ω
Output circuits	
Output current	0/4...20 mA
Load resistance current output	≤ 0.5 kΩ
Rise time (10-90%)	≤ 50 ms
Dropout time (90...10%)	≤ 50 ms
Measuring accuracy	≤ 0.1 % of full scale
Reference temperature	23 °C
Temperature drift	≤ 0.005 % / K
Galvanic separation	
Test voltage	2.5 kV
Rated voltage	250 V
Approval	SIL 2
MTTF	60 years acc. to SN 29500 (Ed. 99) 40 °C
Indication	
Operational readiness	green
Protection class	IP20
Ambient temperature	-25...+70 °C
Storage temperature	-40...+80 °C
Relative humidity	≤ 95%
Dimensions	110x 18x 110 mm
Weight	172 g
Mounting instruction	For mounting on DIN rail or mounting panel
Housing material	Polycarbonate/ABS
Electrical connection	4 x 3-pole removable terminal blocks with test socket, reverse polarity protected, screw connection
Terminal cross-section	1 x 2.5 mm ² / 2 x 1.5 mm ²
Tightening torque	0.5 Nm

Accessories

Type code	Ident no.	Description	Dimension drawing
IM-CC-3X2BK/2BK	7541218	Cage clamps for IM modules (non-Ex devices, width 18 mm): 4 black, 3-pin, included in delivery	