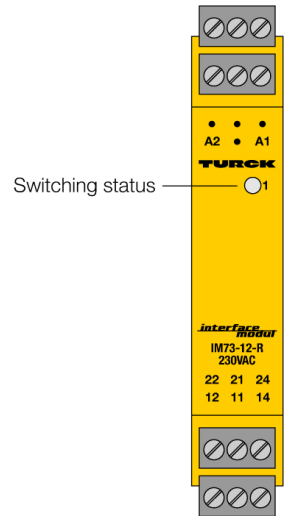
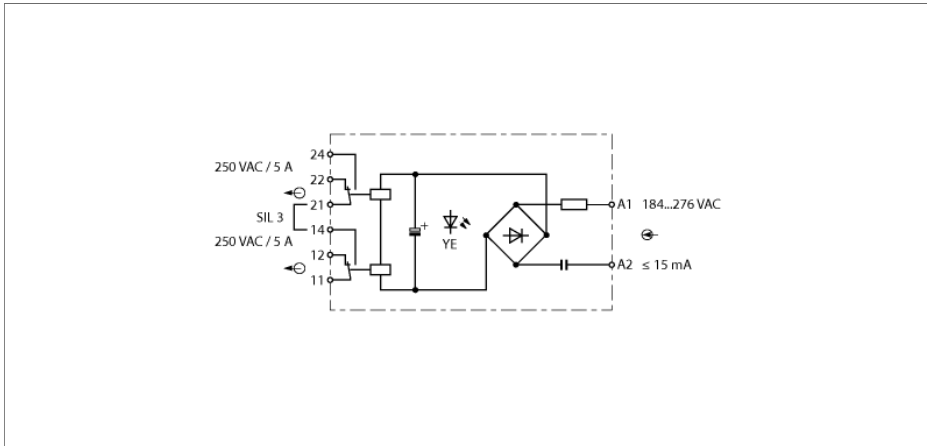


**Relay coupler
1-channel
IM73-12-R/230VAC**



The 1-channel relay coupler IM73-12-R/230VAC is used as a coupling module, to ensure reliable galvanic separation of binary signals.

Two synchronous controlled relays, each with one changeover contact are provided at the output.

If applied in SIL-3 circuits, the following conditions have to be observed:

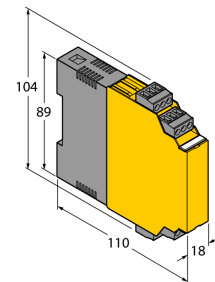
- If the output relay triggers a contactor directly, the contactor must be equipped with a protective circuitry at the coil connection.
- Both relays have to be connected in series.
- The contact circuit is equipped with a fuse and is activated when 60 % of the nominal current are achieved.

The status of the relay is indicated via LED at the front.

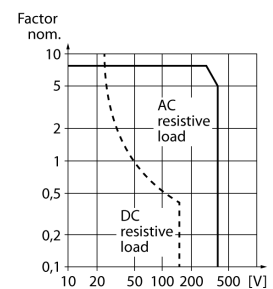
- **Output circuit: 2 relays each with a changeover contact**
- **5 A switching current at 250 VAC**
- **Operating voltage 184...276 VAC**
- **Removable terminal blocks**
- **SIL3**
- **Galvanic separation of input and output circuit**

**Relay coupler
1-channel
IM73-12-R/230VAC**

Dimensions

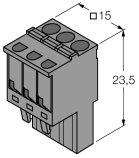


load curve



| | |
|----------------------------------|--|
| Type code | IM73-12-R/230VAC |
| Ident no. | 7520511 |
| Nominal voltage | 230VAC |
| Operating voltage | 184...276 VAC |
| Frequency | 48...62 Hz |
| Power consumption | ≤ 3.5 VA |
| Current input | 15 mA |
| Output circuits (digital) | 2 x relay (change-over) |
| Relay switching voltage | ≤ 250 VAC |
| Switching current per output | ≤ 5 A |
| Switching capacity per output | ≤ 2000 VA/180 W |
| Switching frequency | ≤ 5 Hz |
| Contact quality | AgNi, 3μ Au |
| Galvanic separation | |
| Test voltage | 2.5 kV |
| Rated voltage | 250 V |
| Approval | SIL 3 |
| MTTF | 6000 years acc. to SN 29500 (Ed. 99) 40 °C |
| Indication | |
| Switching state | yellow |
| Protection class | IP20 |
| Ambient temperature | -25...+70 °C |
| Storage temperature | -40...+80 °C |
| Dimensions | 104x 18x 110 mm |
| Weight | 124 g |
| Mounting instruction | For mounting on DIN rail or mounting panel |
| Housing material | Polycarbonate/ABS |
| Electrical connection | 4 x 3-pole removable terminal blocks, reverse polarity protected, screw connection |
| Terminal cross-section | 1 x 2.5 mm ² / 2 x 1.5 mm ² |
| Tightening torque | 0.5 Nm |

Accessories

| Type code | Ident no. | Description | Dimension drawing |
|-----------------|-----------|---|---|
| IM-CC-3X2BK/2BK | 7541218 | Cage clamps for IM modules (non-Ex devices, width 18 mm): 4 black, 3-pin, included in delivery |  |