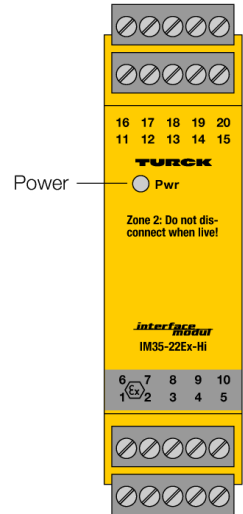
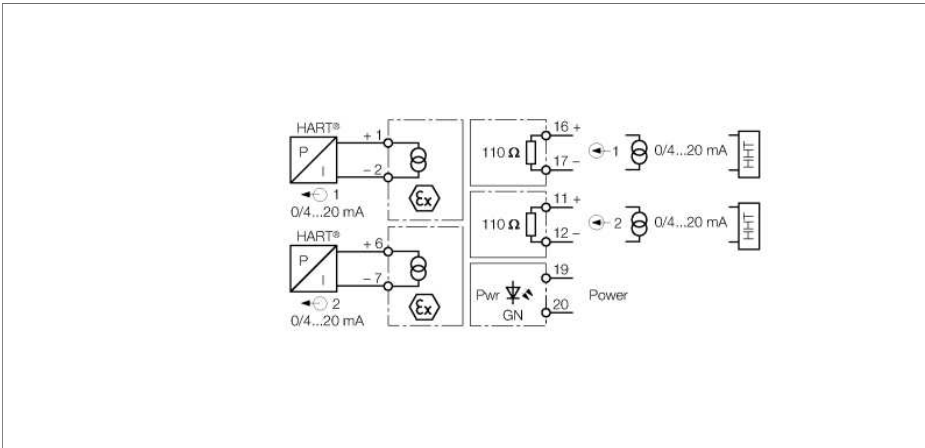


**Analog signal isolator
2-channel
IM35-22EX-HI**



The standard current signal is galvanically separated and transferred via the 2-channel isolating transducer IM35-22EX-HI from the non-Ex area to the Ex-area without attenuation (1:1). In addition to analog signals, the isolating transducer also transfers digital HART® communication signals bidirectionally.

Typical applications are for example, the control of I/P converters (at control valves for example) or indicators in the Ex-area.

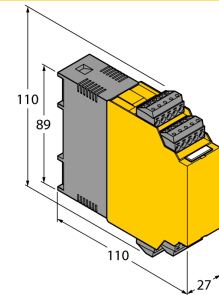
The actuators are connected to the output terminals 1/2 and 6/7. Handheld terminals [HHT] can be connected to the output and input terminals 16/17 and 11/12.

In addition, the removable terminal blocks are equipped with 2 mm test sockets for signal control.

- Intrinsically safe output circuits Ex ia
- Application area acc. to ATEX: II (1) G, II (1) D; II 3 G
- Installation in zone 2
- Power supply of intelligent actuators via HART® communication
- Input circuits: 0/4...20 mA
- Output circuits: 0/4...20 mA, intrinsically-safe
- Universal operating voltage
- Removable terminal blocks
- Complete galvanic separation

**Analog signal isolator
2-channel
IM35-22EX-HI**

Dimensions



Type code	IM35-22EX-HI															
Ident no.	7506518															
Nominal voltage	Universal voltage supply unit															
Operating voltage	20...250 VAC															
Frequency	40...70 Hz															
Operating voltage range	20...125 VDC															
Power consumption	≤ 2.7 W															
Current input	0/4...20 mA															
Input resistance (current)	110 Ω															
Output circuits																
Output current	0/4...20 mA															
Load resistance current output	≤ 0.6 kΩ															
Rise time (10-90%)	≤ 90 ms															
Dropout time (90...10%)	≤ 90 ms															
Measuring accuracy	≤ 0.1 % of full scale															
Reference temperature	23 °C															
Temperature drift	≤ 0.005 % / K															
Galvanic separation																
Test voltage	4.0 kV															
Ex approval acc. to conformity certificate	IBExU 08 ATEX 1130															
Application area	II (1) G [Ex ia] IIC/IIB; II (1) D [Ex iaD]															
Protection type	G [Ex ia] IIC; D [Ex ia D]															
Max. output voltage U _o	≤ 15.9 V															
Max. output current I _o	≤ 59.5 mA															
Max. output power P _o	≤ 467 mW															
Rated voltage	250 V															
Characteristic	Trapezoidal															
Internal inductance/capacitance L/C _i	Li negligible, Ci = 5.2 nF															
External inductance/capacitance L _e /C _e																
	<table border="1"> <thead> <tr> <th>Ex ia</th> <th colspan="2">IIC</th> <th colspan="2">IIB</th> </tr> </thead> <tbody> <tr> <td>Lo [mH]</td> <td>5</td> <td>1</td> <td>5</td> <td>1</td> </tr> <tr> <td>Co [μF]</td> <td>0.135</td> <td>0.285</td> <td>1.1</td> <td>1.8</td> </tr> </tbody> </table>	Ex ia	IIC		IIB		Lo [mH]	5	1	5	1	Co [μF]	0.135	0.285	1.1	1.8
Ex ia	IIC		IIB													
Lo [mH]	5	1	5	1												
Co [μF]	0.135	0.285	1.1	1.8												
Ex approval acc. to conformity certificate	IBEXU 08 ATEX B020 X															
Application area	II 3 G															
Protection class for belonging equipment	Ex nA [nL] IIC/IIB T4 X															
Max. output voltage U _o	≤ 15.9 V															
Max. output current I _o	≤ 59.5 mA															
Max. output power P _o	≤ 467 mW															
Characteristic	Trapezoidal															
Internal inductance/capacitance L/C _i	Li negligible, Ci = 5.2 nF															
External inductance/capacitance L _e /C _e																
	<table border="1"> <thead> <tr> <th>Ex nL</th> <th colspan="2">IIC</th> <th colspan="2">IIB</th> </tr> </thead> <tbody> <tr> <td>Lo [mH]</td> <td>5</td> <td>1</td> <td>5</td> <td>1</td> </tr> <tr> <td>Co [μF]</td> <td>0.285</td> <td>0.515</td> <td>2.1</td> <td>3.2</td> </tr> </tbody> </table>	Ex nL	IIC		IIB		Lo [mH]	5	1	5	1	Co [μF]	0.285	0.515	2.1	3.2
Ex nL	IIC		IIB													
Lo [mH]	5	1	5	1												
Co [μF]	0.285	0.515	2.1	3.2												
MTTF	100 years acc. to SN 29500 (Ed. 99) 40 °C															
Indication																
Operational readiness	green															
Protection class	IP20															
Ambient temperature	-25...+70 °C															
Storage temperature	-40...+80 °C															
Dimensions	110x 27x 110 mm															
Weight	201 g															
Mounting instruction	For mounting on DIN rail or mounting panel															
Housing material	Polycarbonate/ABS															
Electrical connection	4 x 5-pole removable terminal blocks with test socket, reverse polarity protected, screw connection															
Terminal cross-section	1 x 2.5 mm ² / 2 x 1.5 mm ²															
Tightening torque	0.5 Nm															

Accessories

Type code	Ident no.	Description	Dimension drawing
IM-CC-5X2BU/2BK	7504031	Cage clamp terminals for IM modules (Ex devices; width 27 mm); 2 blue/2 black, 5-pin	