

- EEPROM, memory 44 byte
- TID serial number: 6 byte

Functional principle

The UHF read/write heads form an air interface the size of which may vary, depending on the combination of read/write head and data carrier.

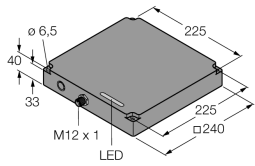
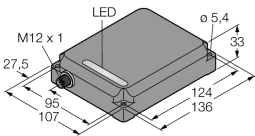
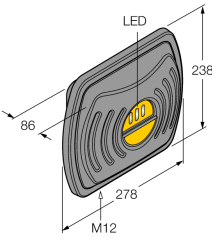
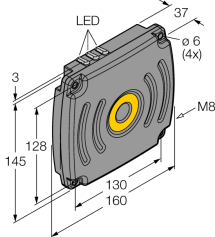
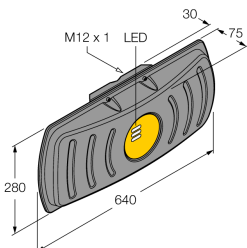
The read/write distances mentioned here only represent standard values measured under laboratory conditions and free from any influences caused by materials.

Attainable distances may vary due to component tolerances, mounting conditions, ambient conditions and material qualities, especially when mounted in metal.

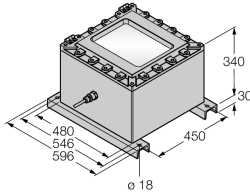
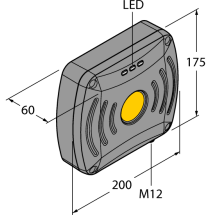
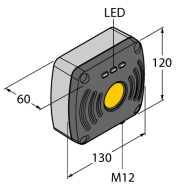
Testing of the application under real operating conditions is therefore essential, especially with read/write on-the-fly!

Type code	TW860-960-L97-15-F-B44
Ident no.	7030524
Data transfer	alternating electromagnetic field
Operating frequency	860...960 MHz
Memory type	EEPROM
Chip	Impinj Monza 4D
Memory	44 byte
Memory	read/write
Freely usable memory	4 byte
EPC memory	16 byte
Number of read operations	unlimited
Number of write operations	10 ⁵
Typical read time	2 ms/byte
Typical write time	3 ms/byte
Radio communication and protocol standards	ISO 18000-6C EPCglobal Gen 2
Minimum distance to metal	20 mm
Ambient temperature	-10...+85 °C
Design	Smart Label
Housing length	97 mm
Housing width	15 mm
Housing material	Plastic, PET
Material active face	Plastic, PET
Protection class	IP40
Packaged quantity	1
Special features	Smart-Label, self-adhesive

Read/write heads

Dimensions	Type designation	Max. read distance [m]	
		air	On metal
	TN865-Q240-H1147 7030250		
	TN865-Q107-H1147 7030251		
	TN865-Q240L280-H1147 7030295 TN902-Q240L280-H1147 7030304 TN840/920-Q240L280-H1147 7030360 TN902/915-Q240L280-H1147 7030465		
	TN865-Q150L170-V1147 7030299 TN865-Q150L170-V1147/C15 7030425 TN865-Q150L170-RU-V1147/C26 7030451		
	TN865-Q280L640-H1147 7030301 TN865-Q57-USB 7030397		

Read/write heads

Dimensions	Type designation	Max. read distance [m]	
		air	On metal
	TN865-Q240L280-Q480H340-2M-EX 7030402		
	TN865-Q175L200-H1147 7030452 TN902-Q175L200-H1147 7030457 TN840/920-Q175L200-H1147 7030466 TN917-Q175L200-H1147 7030513	8.1 7.2 7.2 6.9	
	TN865-Q120L130-H1147 7030520 TN902-Q120L130-H1147 7030535 TN840/920-Q120L130-H1147 7030536 TN917-Q120L130-H1147 7030537	5.7 5.1 5.1 4.9	