

- EEPROM, memory 112 byte
- TID serial number: 8 byte
- Only for direct mounting on metal

#### Functional principle

The UHF read/write heads form an air interface the size of which may vary, depending on the combination of read/write head and data carrier.

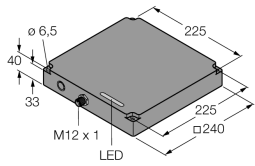
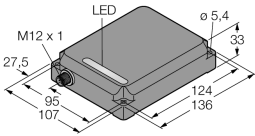
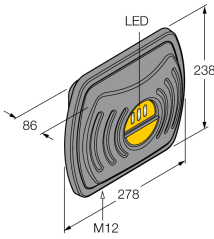
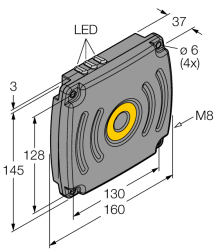
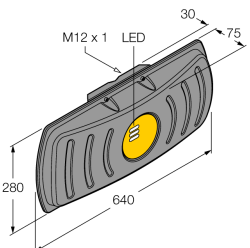
The read/write distances mentioned here only represent standard values measured under laboratory conditions and free from any influences caused by materials.

Attainable distances may vary due to component tolerances, mounting conditions, ambient conditions and material qualities, especially when mounted in metal.

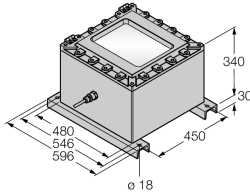
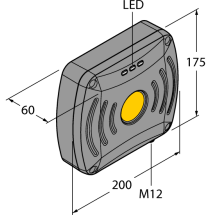
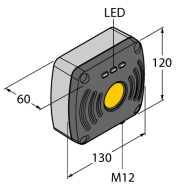
Testing of the application under real operating conditions is therefore essential, especially with read/write on-the-fly!

<b>Type code</b>	TW865-868-Q27-M-B112
Ident no.	7030374
<b>Data transfer</b>	alternating electromagnetic field
Operating frequency	865...868 MHz
Memory type	EEPROM
Chip	Alien Higgs 3
Memory	112 byte
Memory	read/write
Freely usable memory	64 byte
EPC memory	12 byte
Number of read operations	unlimited
Number of write operations	10 <sup>5</sup>
Typical read time	2 ms/byte
Typical write time	3 ms/byte
Radio communication and protocol standards	ISO 18000-6C EPCglobal Gen 2
<b>Minimum distance to metal</b>	0 mm
Ambient temperature	-20...+80 °C
Storage temperature	-20...+80 °C
<b>Housing material</b>	Plastic, PA
Material active face	Plastic
Protection class	IP68
<b>Packaged quantity</b>	1
Special features	For direct mounting on metal

Read/write heads

Dimensions	Type designation	Max. read distance [m]	
		air	On metal
	<b>TN865-Q240-H1147</b> 7030250		
	<b>TN865-Q107-H1147</b> 7030251		
	<b>TN865-Q240L280-H1147</b> 7030295		
	<b>TN865-Q150L170-V1147</b> 7030299 <b>TN865-Q150L170-V1147/C15</b> 7030425 <b>TN865-Q150L170-RU-V1147/C26</b> 7030451		
	<b>TN865-Q280L640-H1147</b> 7030301 <b>TN865-Q57-USB</b> 7030397		

Read/write heads

Dimensions	Type designation  Ident - no.	Max. read distance [m]	
		air	On metal
	<b>TN865-Q240L280-Q480H340-2M-EX</b> 7030402		
	<b>TN865-Q175L200-H1147</b> 7030452	1.3	1.7
	<b>TN865-Q120L130-H1147</b> 7030520	0.9	1.2