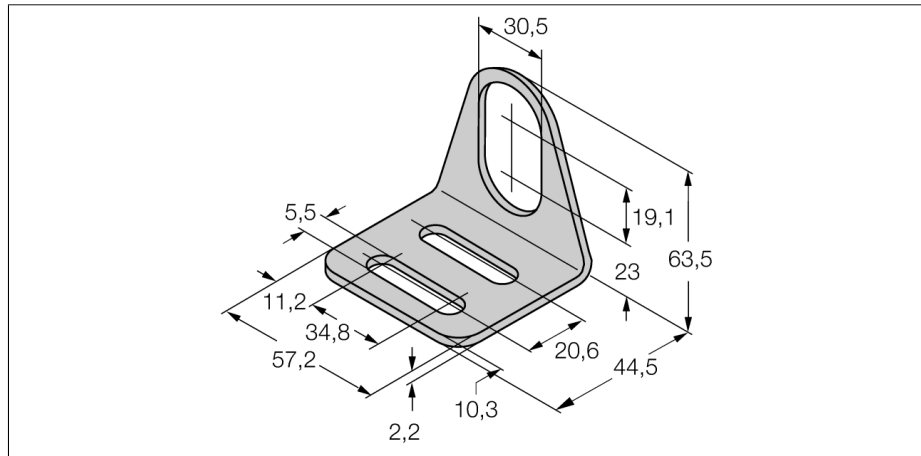


**Mounting accessories**  
**MW-30**

- Mounting bracket for M30 x1.5 threaded barrel sensors
- Stainless steel A2 1.4301 (AISI 304)

**General description**

The mounting bracket for the sensor in the threaded barrel M30 x1 provides high flexibility for mounting. The position of the sensor can easily be re-adjusted in all directions and is thus very user friendly.



<b>Type code</b>	MW-30
Ident no.	6945005
<b>Design</b>	accessories for threaded barrels, M30
Dimensions	44.5x 57.2x 63.5 mm
Housing material	Metal, V2A (1.4301)

