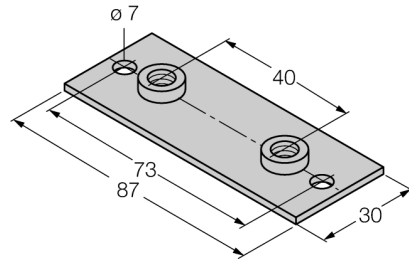
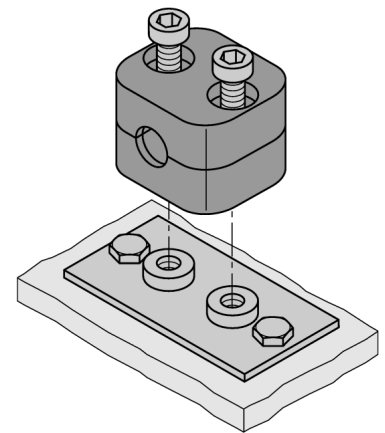


**Mounting accessories  
weld on disc  
BSS-SPV4**

- Accessories for fixing clamps
- Material: Metal, ST 37

**General description**

The portfolio of mounting brackets consists of two half-shells and two Allen screws each. Optionally welding plates with additional drilling holes can be used. Matching DIN rail nuts are available for the mounting of DIN rails.



<b>Type code</b>	BSS-SPV4
Ident no.	6901347
<b>Dimensions</b>	30x 87 mm
Housing material	Metal, ST 37