

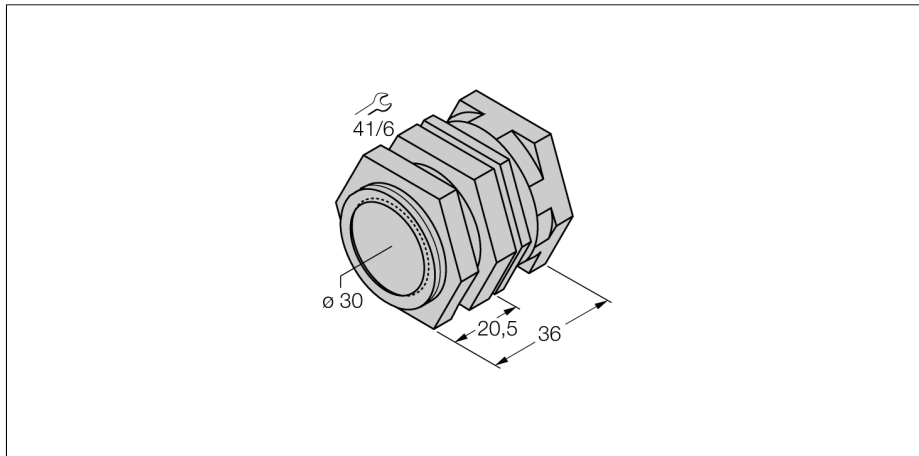
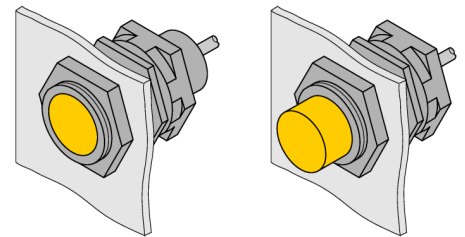
Mounting accessories
QM-30

- Quick-mount bracket with dead-stop;
- Material: Chrome-plated brass
- Male thread M36 x 1.5

General description

The sensor programme comprises inductive, magnetic-inductive, capacitive, photoelectric and ultrasonic sensors as well as pressure and flow controls.

A broad range of practice-oriented accessories ensure optimal adaption to your system.



Type code	QM-30
Ident no.	6945103
Design	accessories for threaded barrels, M30
Dimensions	35 mm
Housing material	Metal, CuZn, chrome-plated