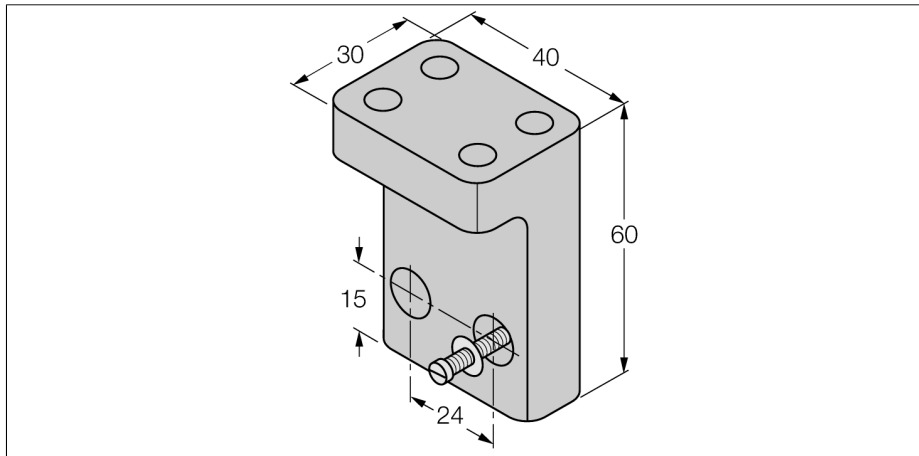


Mounting accessories BST-UH

TURCK

Industrial
Automation



- Base part for BST-12 and BST-18 fixing clamps

General description

The sensor programme comprises inductive, magnetic-inductive, capacitive, photoelectric and ultrasonic sensors as well as pressure and flow controls.

A broad range of practice-oriented accessories ensure optimal adaption to your system.

Type code	BST-UH
Ident no.	6947219
Design	accessories for threaded barrels, BST-UH
Dimensions	13x 40x 60 mm
Housing material	Plastic, PA