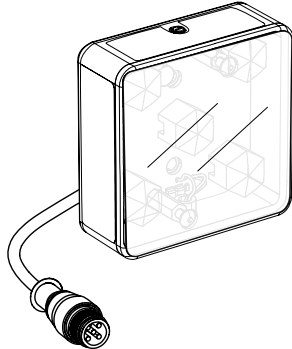


# LED..A70XD5-..High-Intensity Area Light

For use with PresencePLUS and other vision systems



For the latest technical information about this product, including specifications, dimensions, and wiring, see [www.BannerEngineering.com](http://www.BannerEngineering.com)



- Compact area light for PresencePLUS and other Vision Systems
- Five extremely bright LEDs for illumination of targets from 0.15 meters to beyond 2 meters
- Continuous or strobed operation
- Fixed or adjustable intensity, depending on model
- Maintenance-free, rugged construction
- Optically isolated strobe signal



## Models

Model		LED Color	Cable
Fixed Intensity	Adjustable Intensity		
LEDRA70XD5-XQ	LEDRA70XD5-PQ	Red, 620 - 630 nm	150 mm (6") pigtail with threaded 5-pin Euro-style connector Requires Euro-style mating cordset
LEDWA70XD5-XQ	LEDWA70XD5-PQ	White, 5000 - 8300 K	
LEDBA70XD5-XQ	LEDBA70XD5-PQ	Blue, 465 - 485 nm	
LEDGA70XD5-XQ	LEDGA70XD5-PQ	Green, 520 - 535 nm	
LEDIA70XD5-XQ	LEDIA70XD5-PQ	Infrared, 850 nm	
LEDUV395A70XD5-XQ‡	LEDUV395A70XD5-PQ‡	UV, 395 nm	
LEDRA70XD5-XM	LEDRA70XD5-PM	Red, 620 - 630 nm	2 m (6.5') pigtail with threaded 3-pin Pico-style connector Connects directly to the P4 sensor.
LEDWA70XD5-XM	LEDWA70XD5-PM	White, 5000 - 8300 K	
LEDBA70XD5-XM	LEDBA70XD5-PM	Blue, 465 - 485 nm	
LEDGA70XD5-XM	LEDGA70XD5-PM	Green, 520 - 535 nm	
LEDIA70XD5-XM	LEDIA70XD5-PM	Infrared, 850 nm	
LEDUV395A70XD5-XM‡	LEDUV395A70XD5-PM‡	UV, 395 nm	

‡ Risk Group 2:

**CAUTION: UV Emitted from this product.**

Eye or skin irritation may result from exposure. Use appropriate shielding and eye protection. Risk Group 2 (RG 2) products generally do not pose a realistic optical hazard if aversion responses limit the exposure duration or where lengthy exposures are unrealistic.

- IEC 62471



## Specifications

### Supply Voltage and Current

**Operating Voltage:** 24V dc  $\pm$ 10%

**Strobe Voltage:** 5-24V dc @ 15 mA maximum

**Current Draw at Full Intensity:** 500 mA max

Built-in constant current regulator for LEDs

Adjustable intensity control varies intensity for "P" models

### Light Source

Five high-intensity LEDs; see models table for wavelengths

### Illumination

610 mm (24") diameter usable light pattern at 1 m

### Strobe

Optically isolated

### Connections

5-pin Euro-style (M12) male connector; accessory cable required for operation, see Cables for options

### Construction

**Enclosure rating:** IP50 (when mounted using the two  $\frac{1}{4}$  - 20 holes in back)

**Housing:** aluminum, black anodized

**Window:** acrylic, clear with frosted diffusing surface on inside

### Useful Life

When operated within specifications, output will decrease less than 30% after 50,000 hours for visible and IR Models; 20,000 hours for UV models.

### Operating Conditions

**Temperature:** 0° to +50° C (+32° to 122° F)

**Relative Humidity:** 90% (non-condensing)

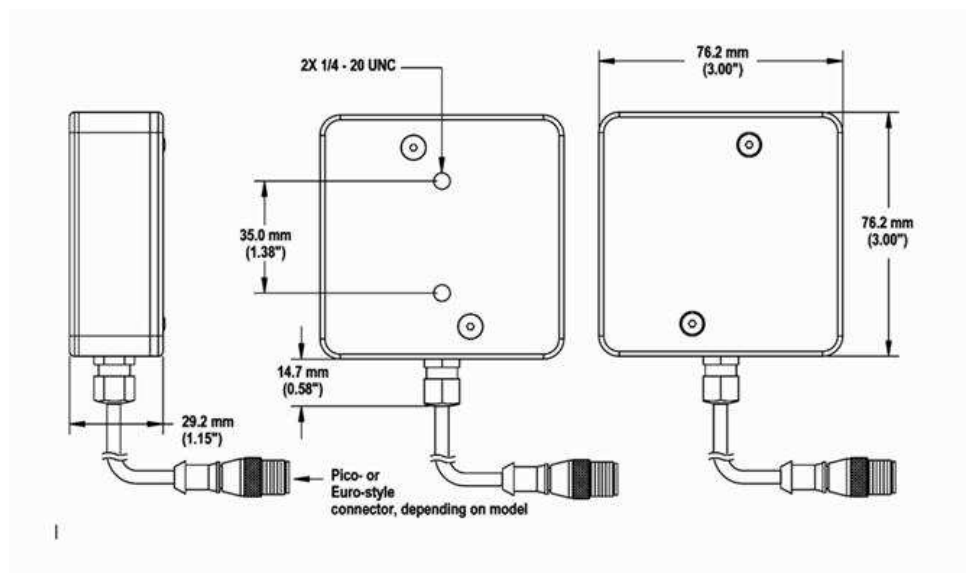
### Certifications



## Dimensions

Back View

Front View

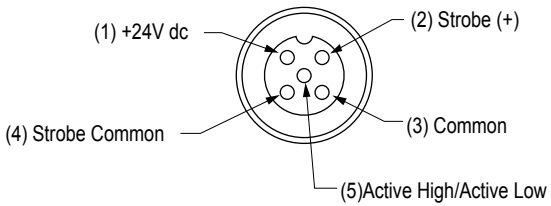


## Light Intensity Adjustment

Adjust the light's intensity by turning the 270° Intensity potentiometer with a small flat-blade screwdriver. Apply power to the light and turn the potentiometer all the way clockwise for max. intensity. If the object to be sensed is too bright at max. intensity, turn the potentiometer down a little at a time, testing with the object, until the correct brightness is achieved.

## Wiring Table

Wire Purpose	Cable Wire Color*	Continuous On Mode	Strobed Mode	PresencePlus Pro Controller Terminal Block
Power Wires	Brown (1)	+24V dc	+24V dc	Pin 01 **
	Blue (3)	common	common	Pin 02
Strobe Polarity Control	Gray (5)	open	Active Low: open	Open — Active Low
			Active High: connect to common (Blue wire)	Pin 02 — Active High
Strobe Voltage Wires	White (2)	open	0V dc = ON (Active Low)    +5 to 24V dc = OFF (Active Low) 0V dc = OFF (Active High)    +5 to 24V dc = ON (Active High)	Pin 04
	Black (4)	open	Strobe common	Pin 02



**Figure 1. Pinouts for Mating Cordset**

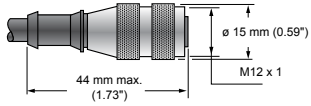
\* For Banner-supplied wire.

\*\* When connecting the light to a PresencePLUS Pro controller terminal block, the controller supply must be 24V dc  $\pm$  10%.

## Accessories

The following describes available cordset and bracket options for these lights.

### Cordsets

For Use with Nickel-Plated Models			
Model	Length	Description	Dimensions
MQDC20-506	2 m (6')	5-pin cable, straight female Euro-style (M12) connector at one end, with flying leads at opposite end.	
MQDC20-515	5 m (15')		
MQDC20-530	9 m (30')		



**NOTE:** These 5-pin cordsets can also be used on 4-pin connector lights.

## Bracket

### SMBAMS70A



- Zinc-plated cold rolled steel right-angle bracket
- Articulated slots for 90+ degrees rotation
- two 1/4-20 screws included

## Banner Engineering Corp Limited Warranty

Banner Engineering Corp. warrants its products to be free from defects in material and workmanship for one year following the date of shipment. Banner Engineering Corp. will repair or replace, free of charge, any product of its manufacture which, at the time it is returned to the factory, is found to have been defective during the warranty period. This warranty does not cover damage or liability for misuse, abuse, or the improper application or installation of the Banner product.

**THIS LIMITED WARRANTY IS EXCLUSIVE AND IN LIEU OF ALL OTHER WARRANTIES WHETHER EXPRESS OR IMPLIED (INCLUDING, WITHOUT LIMITATION, ANY WARRANTY OF MERCHANTABILITY OR FITNESS FOR A PARTICULAR PURPOSE), AND WHETHER ARISING UNDER COURSE OF PERFORMANCE, COURSE OF DEALING OR TRADE USAGE.**

This Warranty is exclusive and limited to repair or, at the discretion of Banner Engineering Corp., replacement. **IN NO EVENT SHALL BANNER ENGINEERING CORP. BE LIABLE TO BUYER OR ANY OTHER PERSON OR ENTITY FOR ANY EXTRA COSTS, EXPENSES, LOSSES, LOSS OF PROFITS, OR ANY INCIDENTAL, CONSEQUENTIAL OR SPECIAL DAMAGES RESULTING FROM ANY PRODUCT DEFECT OR FROM THE USE OR INABILITY TO USE THE PRODUCT, WHETHER ARISING IN CONTRACT OR WARRANTY, STATUTE, TORT, STRICT LIABILITY, NEGLIGENCE, OR OTHERWISE.**

Banner Engineering Corp. reserves the right to change, modify or improve the design of the product without assuming any obligations or liabilities relating to any product previously manufactured by Banner Engineering Corp.