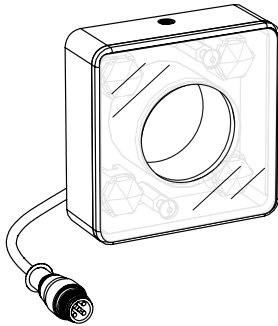


LED High-Intensity Ring Light



High-Intensity LED Ring Light For Use With PresencePLUS and other Vision Systems

For the latest technical information about this product, including specifications, dimensions, and wiring, see www.BannerEngineering.com



- Compact ring light for PresencePLUS and other Vision Systems
- Four extremely bright LEDs for illumination of targets from 0.15 meters to beyond 2 meters
- Continuous or strobed operation
- Optically isolated strobe signal
- Fixed or adjustable intensity, depending on model
- Maintenance-free, rugged construction
- Evenly and intensely illuminates a 610 mm (24") diameter at 1 m

Models

| Model* | LED Color | Bracket | Cable |
|--------------------|----------------------|---|---|
| LEDRR70XD5-XQ | Red, 620-630 nm | Optional bracket available (see Mounting Bracket) | 150 mm (6") pigtail with threaded 5-pin Euro-style connector† |
| LEDWR70XD5-XQ | White, 5000 - 8300 K | | |
| LEDBR70XD5-XQ | Blue, 465 - 485 nm | | |
| LEDGR70XD5-XQ | Green, 520 - 535 nm | | |
| LEDIR70XD5-XQ | Infrared, 850 nm | | |
| LEDUV395R70XD5-XQ‡ | UV, 395 nm | | |
| LEDRR70XD5-XM | Red, 620 - 630 nm | Built-in P4 bracket (see dimensions) | 300 mm (12") pigtail with threaded 3-pin Pico-style connector†† |
| LEDWR70XD5-XM | White, 5000 - 8300 K | | |
| LEDBR70XD5-XM | Blue, 465 - 485 nm | | |
| LEDGR70XD5-XM | Green, 520 - 535 nm | | |
| LEDIR70XD5-XM | Infrared, 850 nm | | |
| LEDUV395R70XD5-XM‡ | UV, 395 nm | | |

* For models with controllable intensity, add "P" to the model number (e.g., LEDRR70XD5-PQ).

† Requires Euro-style cordset.

†† Connects directly to the P4 sensor.

‡ Risk Group 2:

CAUTION: UV Emitted from this product.

Eye or skin irritation may result from exposure. Use appropriate shielding and eye protection. Risk Group 2 (RG 2) products generally do not pose a realistic optical hazard if aversion responses limit the exposure duration or where lengthy exposures are unrealistic.

- IEC 62471



Specifications

Light Source

Four high-intensity LEDs; see models table for wavelengths

Illumination

610 mm (24") diameter usable light pattern at 1 m

Strobe

Optically isolated

Supply Voltage and Current

Operating Voltage: 24V dc \pm 10%

Strobe Voltage: 5-24V dc @ 15 mA maximum

Current Draw at Full Intensity: 350 mA max

Built-in constant current regulator for LEDs

Potentiometer controls variable intensity for "P" models

Construction

Enclosure rating: IP50

Housing: aluminum, black anodized

Window: acrylic, clear with frosted diffusing surface on inside

Bracket: Aluminum, black anodized. Attaches ring light directly to PresencePLUS P4 with 2 included M4x14 screws.

Useful Life

When operated within specifications, output will decrease less than 30% after 50,000 hours for visible and IR models, 20,000 hours for UV models.

Operating Conditions

Temperature: 0° to +50° C (+32° to 122° F)

Relative humidity: 90% (non-condensing)

Certifications



Wiring Table

| Wire Purpose | Cable Wire Color* | Continuous On Mode | Strobed Mode | PresencePlus Pro Controller Terminal Block |
|-------------------------|-------------------|--------------------|--|--|
| Power Wires | Brown (1) | +24V dc | +24V dc | Pin 01 ** |
| | Blue (3) | common | common | Pin 02 |
| Strobe Polarity Control | Gray (5) | open | Active Low: open | Open — Active Low |
| | | | Active High: connect to common (Blue wire) | Pin 02 — Active High |
| Strobe Voltage Wires | White (2) | open | 0V dc = ON (Active Low) +5 to 24V dc = OFF (Active Low) | Pin 04 |
| | | | 0V dc = OFF (Active High) +5 to 24V dc = ON (Active High) | |
| | Black (4) | open | Strobe common | Pin 02 |

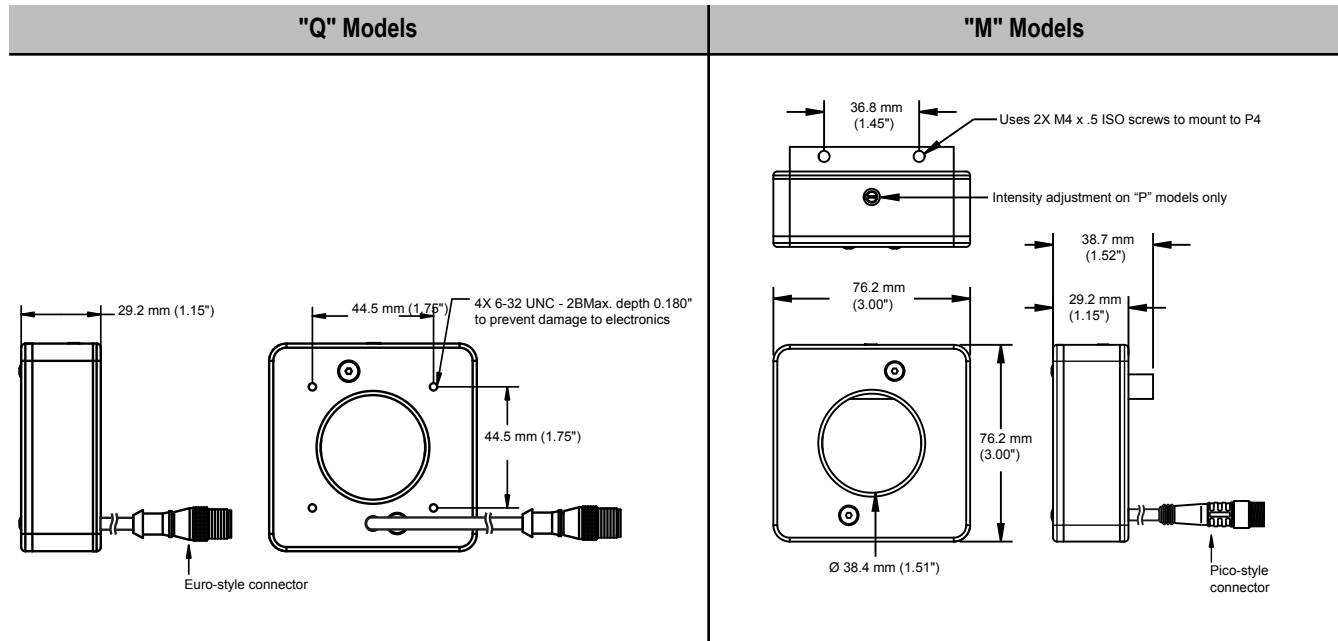
Figure 1. Pinouts for Mating Cordset

* For Banner-supplied wire.

** When connecting the light to a PresencePLUS Pro controller terminal block, the controller supply must be 24V dc \pm 10%.

Light Intensity Adjustment

Adjust the light's intensity by turning the 270° Intensity potentiometer with a small flat-blade screwdriver. Apply power to the light and turn the potentiometer all the way clockwise for max. intensity. If the object to be sensed is too bright at max. intensity, turn the potentiometer down a little at a time, testing with the object, until the correct brightness is achieved.



5-Pin Euro-Style Cordsets

| 5-Pin M12/Euro-Style Cordsets (straight connector) | 5-Pin M12/Euro-Style Cordsets (right-angle connector) |
|--|---|
| MQDC1-506, 2 m (6') | MQDC1-506RA, 2 m (6') |
| MQDC1-515, 5 m (15') | MQDC1-515RA, 5 m (15') |
| MQDC1-530, 9 m (30') | MQDC1-530RA, 9 m (30') |

Accessory Brackets

| | | |
|------------------------|--|--|
| <p>SMBPPRHI</p> | <ul style="list-style-type: none"> Black zinc plated cold rolled steel bracket Mounts directly to Presence<i>PLUS</i> Pro sensor Includes: 2 – 6-32 screws (socket drive, button head) 4 – M3 screws (socket drive, cap head) | |
|------------------------|--|--|

Banner Engineering Corp Limited Warranty

Banner Engineering Corp. warrants its products to be free from defects in material and workmanship for one year following the date of shipment. Banner Engineering Corp. will repair or replace, free of charge, any product of its manufacture which, at the time it is returned to the factory, is found to have been defective during the warranty period. This warranty does not cover damage or liability for misuse, abuse, or the improper application or installation of the Banner product.

THIS LIMITED WARRANTY IS EXCLUSIVE AND IN LIEU OF ALL OTHER WARRANTIES WHETHER EXPRESS OR IMPLIED (INCLUDING, WITHOUT LIMITATION, ANY WARRANTY OF MERCHANTABILITY OR FITNESS FOR A PARTICULAR PURPOSE), AND WHETHER ARISING UNDER COURSE OF PERFORMANCE, COURSE OF DEALING OR TRADE USAGE.

This Warranty is exclusive and limited to repair or, at the discretion of Banner Engineering Corp., replacement. **IN NO EVENT SHALL BANNER ENGINEERING CORP. BE LIABLE TO BUYER OR ANY OTHER PERSON OR ENTITY FOR ANY EXTRA COSTS, EXPENSES, LOSSES, LOSS OF PROFITS, OR ANY INCIDENTAL, CONSEQUENTIAL OR SPECIAL DAMAGES RESULTING FROM ANY PRODUCT DEFECT OR FROM THE USE OR INABILITY TO USE THE PRODUCT, WHETHER ARISING IN CONTRACT OR WARRANTY, STATUTE, TORT, STRICT LIABILITY, NEGLIGENCE, OR OTHERWISE.**

Banner Engineering Corp. reserves the right to change, modify or improve the design of the product without assuming any obligations or liabilities relating to any product previously manufactured by Banner Engineering Corp.