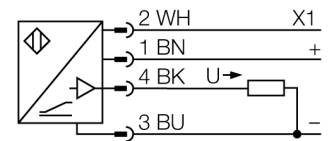


**ultrasonic sensor
diffuse mode sensor
T30UXUB**

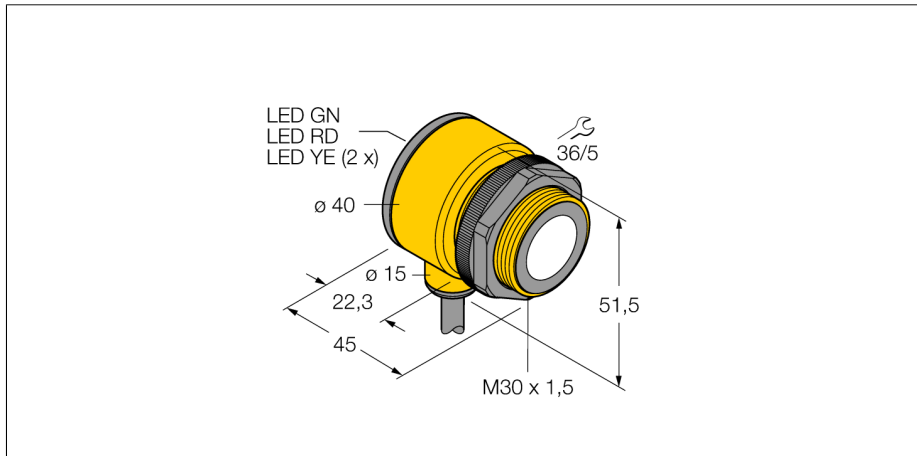
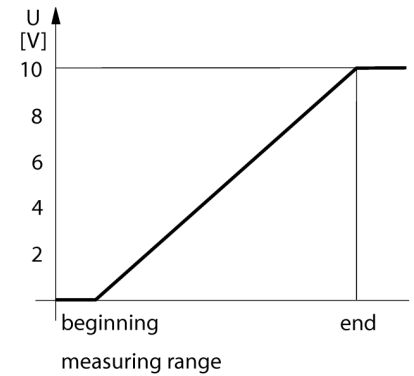
- compact housing style
- 4-pole cable, 2m
- analog output 0...10 V
- Response time adjustable
- Integrated temperature compensation
- Measuring range adjustable via teach-in

Wiring diagram



Functional principle

Ultrasonic sensors use ultrasonic waves for non-contact and wear-free detection of many objects. Regardless of whether the object is transparent or opaque, metallic or non-metallic, or of liquid, solid or powdery consistency. Even environmental conditions such as spray, dust or rain hardly affect their function.



Type code	T30UXUB
Ident no.	3080468
Design	cylindrical/threaded, T30U
Dimensions	Ø40x 45 mm
Housing material	Plastic, Polyester
Connection	cable, 2
Protection class	IP67
Ambient temperature	-40...+70 °C
Operating voltage	LED
Operating voltage	10...30VDC
Response time	92 ms
Voltage output	0...10V
Hysteresis	≤ 3 mm
Short-circuit protection	yes/ cyclic
Reverse polarity protection	complete
Wire breakage protection	yes
Range	20...200 cm
Ultrasound frequency	174 kHz
Repeatability	≥ ± 1 mm
Edge lengths of the nominal actuator	100 mm

ultrasonic sensor
diffuse mode sensor
T30UXUB

Accessories

Type code	Ident no.	Description	Dimension drawing
SMB30A	3032723	Mounting bracket, stainless steel, for sensors with 30 mm thread	
SMB1815SF	3053279	Mounting bracket, PBT black, for PICO-GUARD points	
SMB30FAM10	3011185	Mounting bracket, stainless steel, for M10 x 1.5 thread, thread length 30 mm	