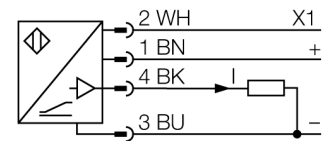


**ultrasonic sensor  
diffuse mode sensor  
T30UXICQ8**

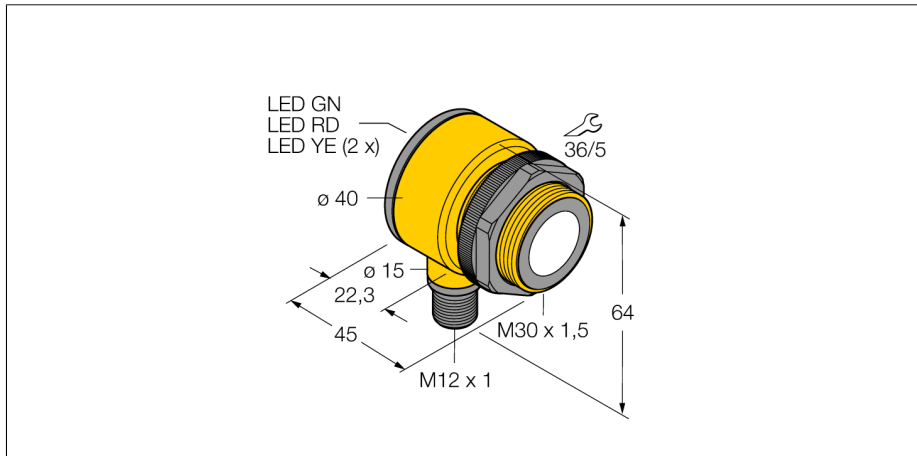
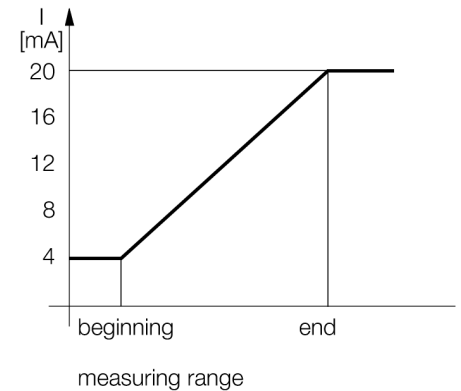
- compact housing style
- M12 x 1 male connection, 4-pole
- Analog output 4..20 mA
- Response time adjustable
- Integrated temperature compensation
- Measuring range adjustable via teach-in

**Wiring diagram**



**Functional principle**

Ultrasonic sensors use ultrasonic waves for non-contact and wear-free detection of many objects. Regardless of whether the object is transparent or opaque, metallic or non-metallic, or of liquid, solid or powdery consistency. Even environmental conditions such as spray, dust or rain hardly affect their function.



<b>Type</b>	T30UXICQ8
Ident-No.	3080491
<b>Design</b>	cylindrical/threaded, T30U
Dimensions	Ø40x 45 mm
Housing material	Plastic, Polyester
Connection	male, M12 x 1
Protection class	IP67
Ambient temperature	-40...+70 °C
<b>Operating voltage</b>	LED
<b>Operating voltage</b>	10...30VDC
Load resistance	≤ 1000 Ω
Current output	4...20mA
Short-circuit protection	yes/ cyclic
Reverse polarity protection	complete
Wire breakage protection	yes
<b>Range</b>	30...300 cm
Ultrasound frequency	114 kHz
Repeatability	≥ ± 1.5 mm
Hysteresis	≤ 4 mm

ultrasonic sensor  
diffuse mode sensor  
T30UXICQ8

Wiring accessories

Type code	Ident-No.	Description	Dimension drawing
RKC4.4T-2/TEL	6625013	Connection cable, female M12, straight, 4-pin, cable length: 2 m, sheath material: PVC, black; cULus approval; other cable lengths and qualities available, see <a href="http://www.turck.com">www.turck.com</a>	
WKC4.4T-2/TEL	6625025	Connection cable, female M12, angled, 4-pin, cable length: 2 m, sheath material: PVC, black; cULus approval; other cable lengths and qualities available, see <a href="http://www.turck.com">www.turck.com</a>	