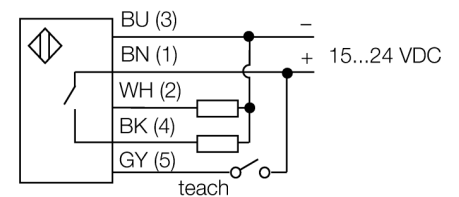


**ultrasonic sensor
diffuse mode sensor
T30UIPA**

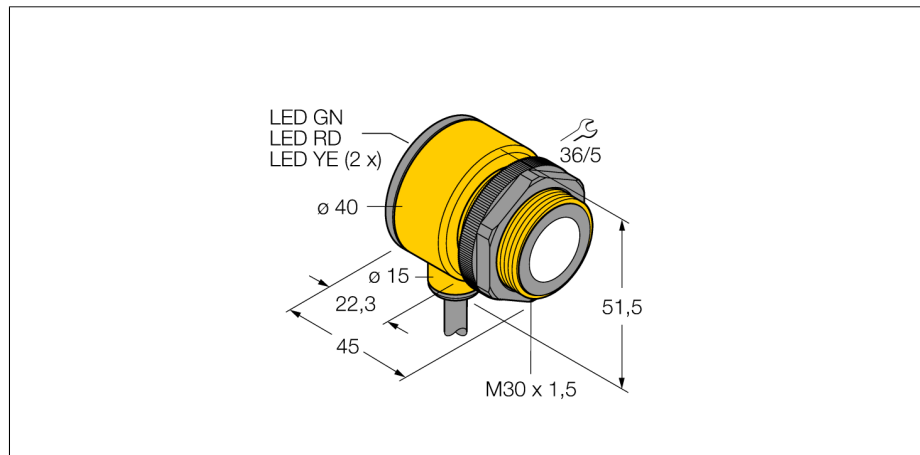
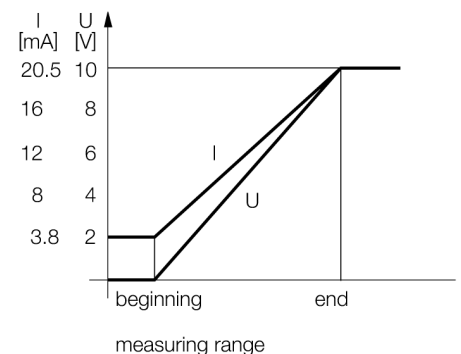
- compact housing style
- cable, 2m
- Operating voltage 15...24 VDC
- pnp transistor output and analogue output for current
- measuring range adjustable via teach-in

Wiring diagram



Functional principle

Ultrasonic sensors use ultrasonic waves for non-contact and wear-free detection of many objects. Regardless of whether the object is transparent or opaque, metallic or non-metallic, or of liquid, solid or powdery consistency. Even environmental conditions such as spray, dust or rain hardly affect their function.



Type code	T30UIPA
Ident no.	3055974
Design	cylindrical/threaded, T30
Dimensions	Ø40x 45 mm
Housing material	Plastic, Polyester
Connection	cable, 2
Protection class	IP67
Ambient temperature	-20...+70 °C
Operating voltage	LED
Switching state	• yellow
Operating voltage	15...24VDC
DC rated operational current	≤ 100 mA
No-load current I ₀	≤ 50 mA
Output function	NO contact, PNP/analog output
Current output	4...20mA
Switching frequency	20 Hz
Hysteresis	≤ 2.5 mm
Voltage drop at I ₀	≤ 1.5 V
Short-circuit protection	yes/ cyclic
Reverse polarity protection	complete
Wire breakage protection	yes
Range	15...100 cm
Ultrasound frequency	230 kHz
Repeatability	≥ ± 0.375 mm

ultrasonic sensor
diffuse mode sensor
T30UIPA

TURCK

Industrial
Automation

Accessories

Type code	Ident no.	Description	Dimension drawing
SMB30A	3032723	Mounting bracket, stainless steel, for sensors with 30 mm thread	
SMB1815SF	3053279	Mounting bracket, PBT black, for PICO-GUARD points	
SMB30FAM10	3011185	Mounting bracket, stainless steel, for M10 x 1.5 thread, thread length 30 mm	