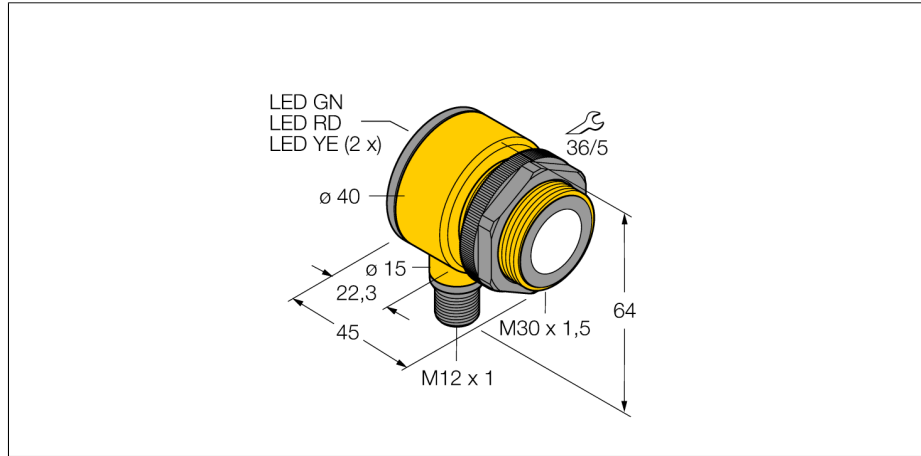
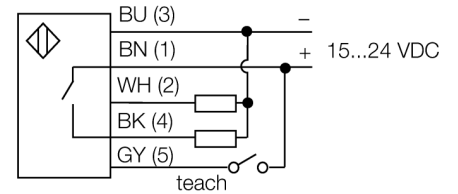


**ultrasonic sensor  
diffuse mode sensor  
T30UIPAQ**



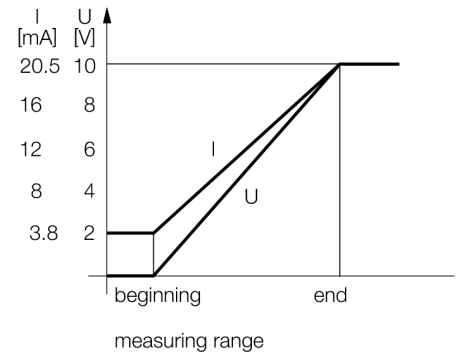
- compact housing style
- connection via M12 x 1 connector
- Operating voltage 15...24 VDC
- pnp transistor output and analogue output for current
- measuring range adjustable via teach-in

**Wiring diagram**



**Functional principle**

Ultrasonic sensors use ultrasonic waves for non-contact and wear-free detection of many objects. Regardless of whether the object is transparent or opaque, metallic or non-metallic, or of liquid, solid or powdery consistency. Even environmental conditions such as spray, dust or rain hardly affect their function.



<b>Type code</b>	T30UIPAQ
Ident no.	3055975
<b>Design</b>	cylindrical/threaded, T30
Dimensions	Ø40x 45 mm
Housing material	Plastic, Polyester
Connection	male, M12 x 1
Protection class	IP67
Ambient temperature	-20...+70 °C
<b>Operating voltage</b>	LED
Switching state	• yellow
<b>Operating voltage</b>	15...24VDC
DC rated operational current	≤ 150 mA
No-load current I <sub>0</sub>	≤ 50 mA
Output function	NO contact, PNP/analog output
Current output	4...20mA
Switching frequency	20 Hz
Hysteresis	≤ 2.5 mm
Voltage drop at I <sub>e</sub>	≤ 1.5 V
Short-circuit protection	yes/ cyclic
Reverse polarity protection	complete
Wire breakage protection	yes
<b>Range</b>	15...100 cm
Ultrasound frequency	230 kHz
Repeatability	≥ ± 0.375 mm

ultrasonic sensor  
diffuse mode sensor  
T30UIPAQ

**TURCK**

Industrial  
Automation

**Accessories**

Type code	Ident no.	Description	Dimension drawing
SMB30A	3032723	Mounting bracket, stainless steel, for sensors with 30 mm thread	
SMB1815SF	3053279	Mounting bracket, PBT black, for PICO-GUARD points	
SMB30FAM10	3011185	Mounting bracket, stainless steel, for M10 x 1.5 thread, thread length 30 mm	

**Wiring accessories**

Type code	Ident no.	Description	Dimension drawing
RKC4.5T-2/TEL	6625016	Connection cable, female M12, straight, 5-pin, cable length: 2 m, sheath material: PVC, black; cULus approval; other cable lengths and qualities available, see <a href="http://www.turck.com">www.turck.com</a>	
WKC4.5T-2/TEL	6625028	Connection cable, female M12, angled, 5-pin, cable length: 2 m, sheath material: PVC, black; cULus approval; other cable lengths and qualities available, see <a href="http://www.turck.com">www.turck.com</a>	