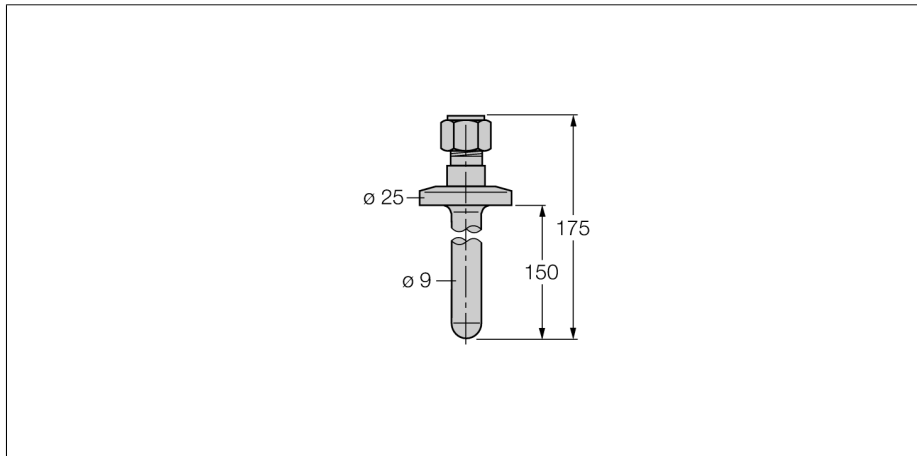


**Temperature measurement  
Accessories thermowell  
THW-6-TRI3/4-A4-L150**

**TURCK**

Industrial  
Automation



- Thermowell for temperature probes (6 mm diameter, TP series)
- For food and pharmaceutical processing
- Surface roughness Ra > 0.8 µm

**General description**

Thermowells protect the probes against aggressive media and high pressures. Direct contact with the medium is avoided when using thermowells for mounting. The probe can be replaced without interrupting the process.

<b>Type code</b>	THW-6-TRI3/4-A4-L150
Ident no.	9910469
<b>Temperature operating range</b>	-50...350 °C
Immersion depth (L)	150 mm
<b>Pressure resistance</b>	40 bar
<b>Housing</b>	
Housing material	stainless steel 1.4404 (AISI 316L), V4A (1.4404)
Sealing material	stainless steel
Mechanical connection	Tri-Clamp 3/4"
Pressure resistance	40 bar
Max. tightening torque housing nut	100 Nm