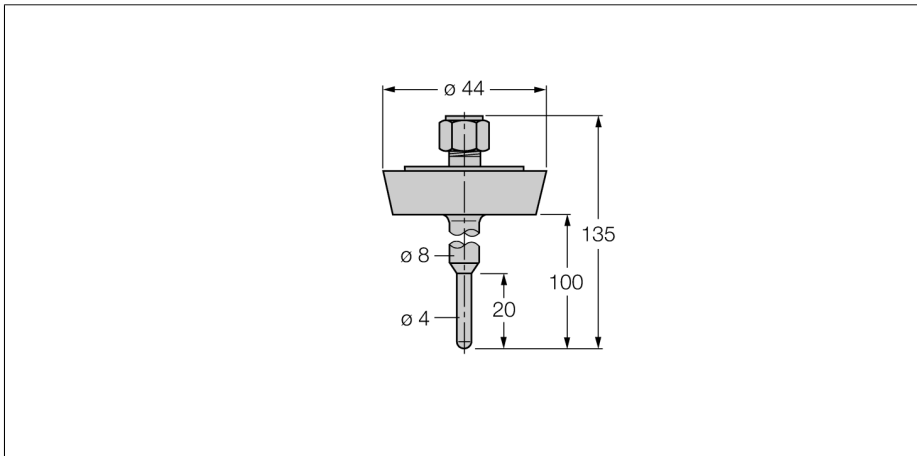


**Temperature measurement
Accessories thermowell
THW-3-DN25K-A4-L250**

- Thermowell for mounting TS203 probes
- For food and pharmaceutical processing
- Surface roughness Ra > 0.8 µm

General description

Thermowells are used for unpressurized mounting of probes. Direct contact with the medium is avoided when using thermowells for mounting. The probe can be replaced without interrupting the process.



Type code	THW-3-DN25K-A4-L250
Ident no.	9910458
Temperature operating range	-50...350 °C
Immersion depth (L)	250 mm
Pressure resistance	40 bar
Housing	
Housing material	stainless steel 1.4404 (AISI 316L), V4A (1.4404)
Sealing material	stainless steel
Mechanical connection	Threaded tube connection per DIN11851
Pressure resistance	40 bar
Max. tightening torque housing nut	100 Nm