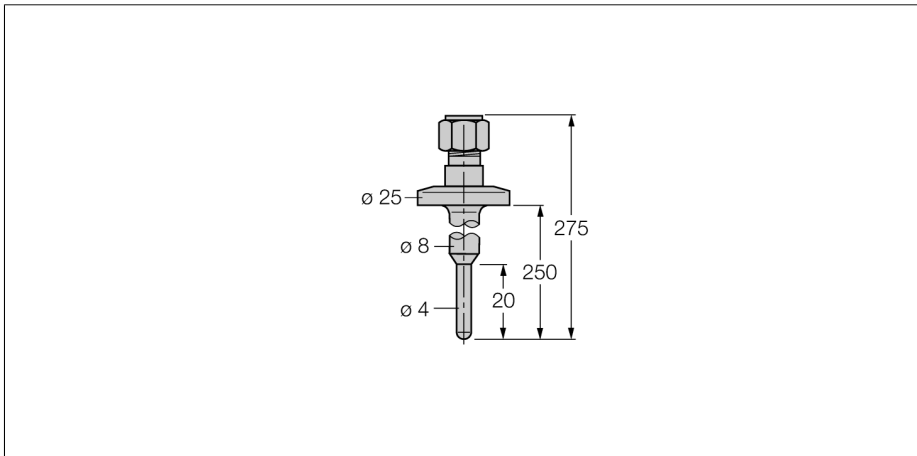


**Temperature measurement  
Accessories thermowell  
THW-3-TRI3/4-A4-L250**

- Thermowell for mounting TS203 probes
- For food and pharmaceutical processing
- Surface roughness Ra > 0.8 µm

**General description**

Thermowells are used for unpressurized mounting of probes. Direct contact with the medium is avoided when using thermowells for mounting. The probe can be replaced without interrupting the process.



<b>Type code</b>	THW-3-TRI3/4-A4-L250
Ident no.	9910454
<b>Temperature operating range</b>	-50...350 °C
Immersion depth (L)	250 mm
<b>Pressure resistance</b>	40 bar
<b>Housing</b>	
Housing material	stainless steel 1.4404 (AISI 316L), V4A (1.4404)
Sealing material	stainless steel
Mechanical connection	Tri-Clamp 3/4"
Pressure resistance	40 bar
Max. tightening torque housing nut	100 Nm