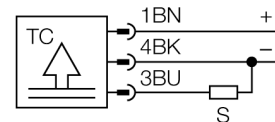


**Temperature measurement
with transistor switching output
TC-103A-G1/8-AP6-H1140-L024**

- Switchpoint, factory set
- Temperature range 0...150 °C

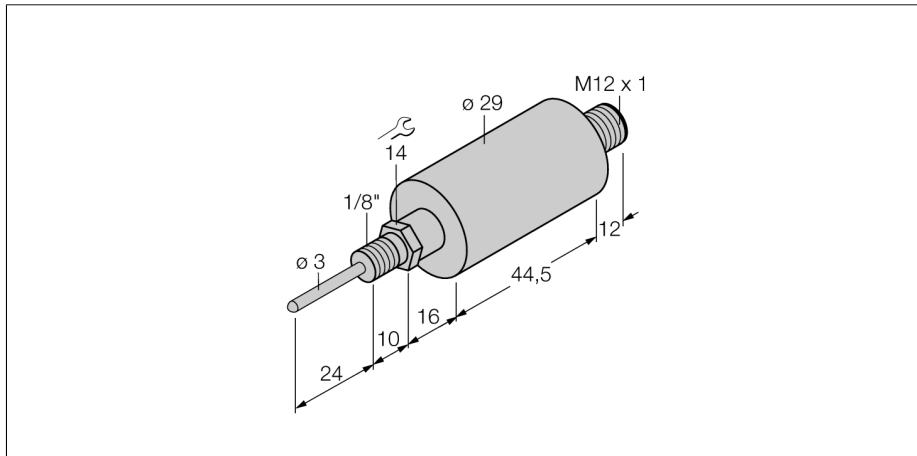
Wiring diagram



General description

Sensor with integrated probe Different probe versions.

The TC series is available with one switching output.



Type code	TC-103A-G1/8-AP6-H1140-L024
Ident no.	9910440
Temperature operating range	
Temperature operating range	0...150 °C
Switch point SP1	customized
Release point rP1	customized
Measuring element	Pt-100 platinum measuring element, DIN EN 60751
Accuracy	Class A
Immersion depth (L)	24 mm
Power supply	
Operating voltage	15...30VDC
Short-circuit/reverse polarity protection	yes/ yes
Protection type and class	IP67
Output 1	
Output 1	switching output
Switching output	
Output function	NO contact, PNP
Switching point accuracy	± 0.2 K
Rated operational current	0.1 A
Switch point SP1	customized
Release point rP1	customized
Temperature behaviour	
Temperature coefficient zero point T ₀	± 0.1 % of full scale / 10 K
Temperature coefficient span T _{is}	± 0.1 % of full scale / 10 K
Ambient conditions	
Ambient temperature	-25...+80 °C
Ambient temperature	-40 ... 85 °C
Storage temperature	-40...+85°C
Pressure resistance	100 bar
Housing	
Housing material	Stainless steel, V4A 1.4401 (AISI 316)
Sensor material	stainless steel, AISI 316
Mechanical connection	G 1/8" male thread
Connection	male, M12 x 1
Pressure resistance	100 bar
Reference conditions acc. to IEC 61298-1	
temperature	15...25 °C
Atmospheric pressure	860...1060 hPa abs.
Humidity	45...75 % rel.
Auxiliary power	24 VDC

**Temperature measurement
with transistor switching output
TC-103A-G1/8-AP6-H1140-L024**

Wiring accessories

Type code	Ident no.	Description	Dimension drawing
RKC4.4T-2/TEL	6625013	Connection cable, female M12, straight, 4-pin, cable length: 2 m, sheath material: PVC, black; cULus approval; other cable lengths and qualities available, see www.turck.com	
WKC4.4T-2/TEL	6625025	Connection cable, female M12, angled, 4-pin, cable length: 2 m, sheath material: PVC, black; cULus approval; other cable lengths and qualities available, see www.turck.com	
RKC4.4T-2/TXL	6625503	Connection cable, female M12, straight, 4-pin, cable length: 2 m, sheath material: PVC, black; cULus approval; other cable lengths and qualities available, see www.turck.com	
WKC4.4T-2/TXL	6625515	Connection cable, female M12, angled, 4-pin, cable length: 2 m, sheath material: PVC, black; cULus approval; other cable lengths and qualities available, see www.turck.com	