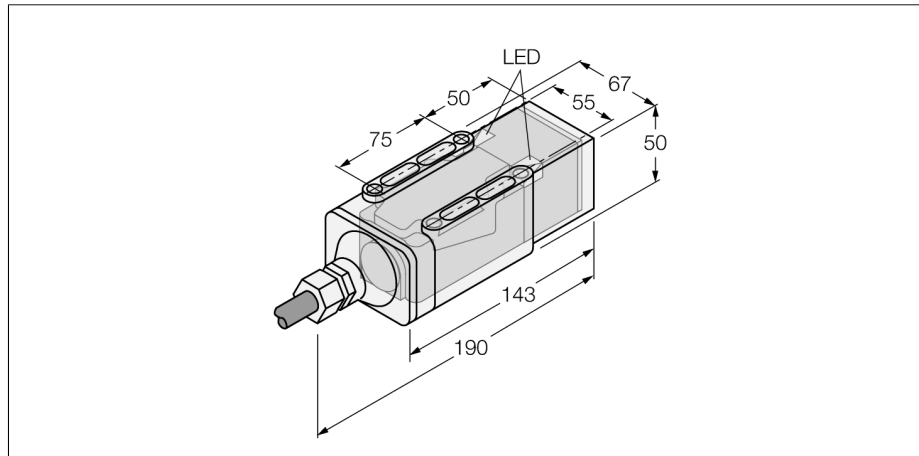
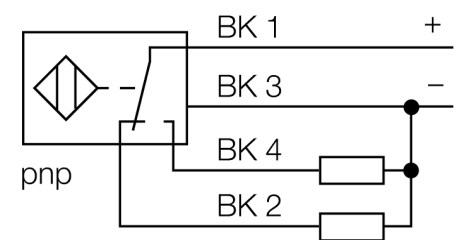


**Inductive sensor
for underwater applications
NI35-CP40-VP4X2/S369-F 30M**



- Rectangular, height 67 mm
- UV and ozone resistant
- Plastic, Ultem
- Encapsulated sensor
- Protection class IP68, 50 m water column
- DC 4-wire, 10...65 VDC
- Changeover contact, PNP output
- Cable connection

Wiring diagram



Functional principle

Inductive sensors detect metal objects contactless and wear-free. For this purpose they use a high-frequency electromagnetic AC field that interacts with the target. The sensors hosting a ferrite core coil generate the AC field through an LC resonant circuit.

Type code	NI35-CP40-VP4X2/S369-F 30M
Ident no.	1569425
Rated operating distance Sn	35 mm
Mounting condition	non-flush
Assured sensing range	≤ (0,81 x Sn) mm
Correction factors	St37 = 1; Al = 0.3; stainless steel = 0.7; Ms = 0.4
Repeatability	≤ 2 % of full scale
Temperaturdrift	10 %
Hysteresis	3...15 %
Ambient temperature	-25...+70 °C
Operating voltage	10...65VDC
Residual ripple	≤ 10 % U _s
DC rated operational current	≤ 200 mA
No-load current I ₀	≤ 15 mA
Residual current	≤ 0.1 mA
Rated insulation voltage	≤ 0.5 kV
Short-circuit protection	yes
Voltage drop at I ₀	≤ 1.8 V
Wire breakage / Reverse polarity protection	yes/ complete
Output function	4-wire, changover contact, PNP
Protection class	☐
Switching frequency	0.15 kHz
Design	rectangular, CP40
Dimensions	190x 67x 50 mm
Housing material	Plastic, Ultem
Connection	cable
Cable quality	9.7 mm, Ölflex-110 SY, Ölflex®, 30 m
Cable cross section	5 x 0.75 mm ²
Vibration resistance	55 Hz (1 mm)
Shock resistance	30 g (11 ms)
Protection class	IP68
Operating voltage	LED green
Switching state	● yellow

**Inductive sensor
for underwater applications
NI35-CP40-VP4X2/S369-F 30M**

Distance D	4.5 x B
Distance W	3 x Sn
Distance S	1.5 x B
Distance G	6 x Sn
Distance N	1 x B

Width of the active face B 40 mm

