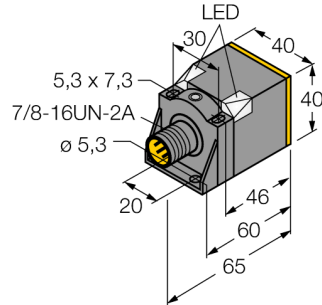
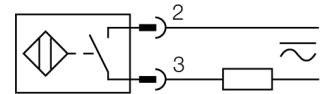


**Inductive sensor  
with extended switching distance  
NI35U-CK40-ADZ30X2-B1131**



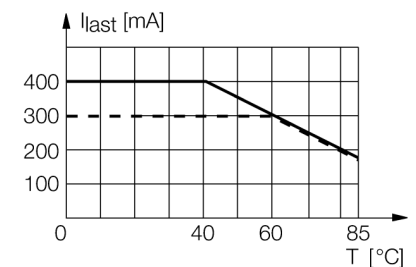
- Rectangular, height 40 mm
- Variable orientation of active face in 5 directions
- Plastic, PBT-GF30-V0
- Mounting only with included plastic clip BS4-CK40
- Factor 1 for all metals
- Extended switching distance
- Protection class IP68
- Large detection range
- Magnetic field immune
- Extended temperature range
- High switching frequency
- AC 2-wire, 20...250 VAC
- DC 2-wire, 10...300 VDC
- NO contact
- Connector, 7/8"

**Wiring diagram**



**Functional principle**

Inductive sensors detect metal objects contactless and wear-free. Due to the patented ferrite-less 3-coil system, uprox® factor 1 sensors have distinct advantages compared to conventional sensors. They detect all metals at the same switching distance, are magnetic field immune and feature large switching distances.



<b>Type code</b>	NI35U-CK40-ADZ30X2-B1131
Ident no.	4280410
<b>Rated operating distance Sn</b>	35 mm
Mounting condition	non-flush
Assured sensing range	≤ (0,81 x Sn) mm
Repeatability	≤ 2 % of full scale
Temperaturdrift	10 %
	≤ ± 20 %, ≤ -25 °C v ≥ +70 °C
Hysteresis	3...15 %
Ambient temperature	-30...+85 °C
<b>Operating voltage</b>	20...250 VAC
Operating voltage	10...300VDC
AC rated operational current	≤ 400 mA
DC rated operational current	≤ 300 mA
Frequency	≥ 50...≤ 60 Hz
Residual current	≤ 1.7 mA
Rated insulation voltage	≤ 1.5 kV
Surge current	≤ 3 A (≤ 20 ms max. 5 Hz)
Short-circuit protection	yes/ latching
Voltage drop at I <sub>n</sub>	≤ 6 V
Wire breakage / Reverse polarity protection	yes/ complete
Output function	2-wire, NO contact
Smallest operating current I <sub>n</sub>	≤ 3 mA
Protection class	☐
Switching frequency	0.01 kHz
<b>Design</b>	rectangular, CK40
Dimensions	65x 40x 40 mm variable orientation of active face in 5 directions
Housing material	Plastic, PBT, black
Connection	male, 7/8"
Vibration resistance	55 Hz (1 mm)
Shock resistance	30 g (11 ms)
Protection class	IP68
MTTF	874 years acc. to SN 29500 (Ed. 99) 40 °C
<b>Operating voltage</b>	LED green
Switching state	• yellow
Included in scope of supply	BS4-CK40

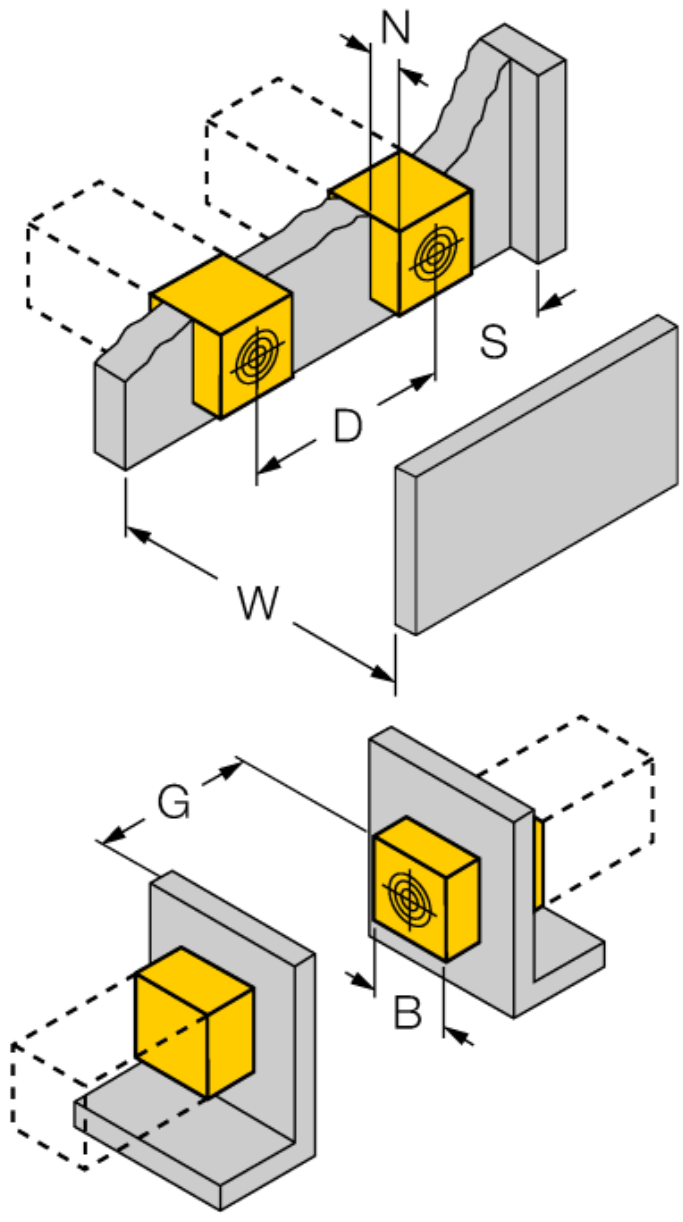
**Inductive sensor  
with extended switching distance  
NI35U-CK40-ADZ30X2-B1131**

---

Distance D	120 mm
Distance W	105 mm
Distance T	140 mm
Distance S	60 mm
Distance G	210 mm
Distance N	30 mm

---

Width of the active face B	40 mm
----------------------------	-------



**Accessories**

Type code	Ident no.	Description	Dimension drawing
BSS-CP40	6901318	Mounting bracket for rectangular devices; material: Polypropylene	