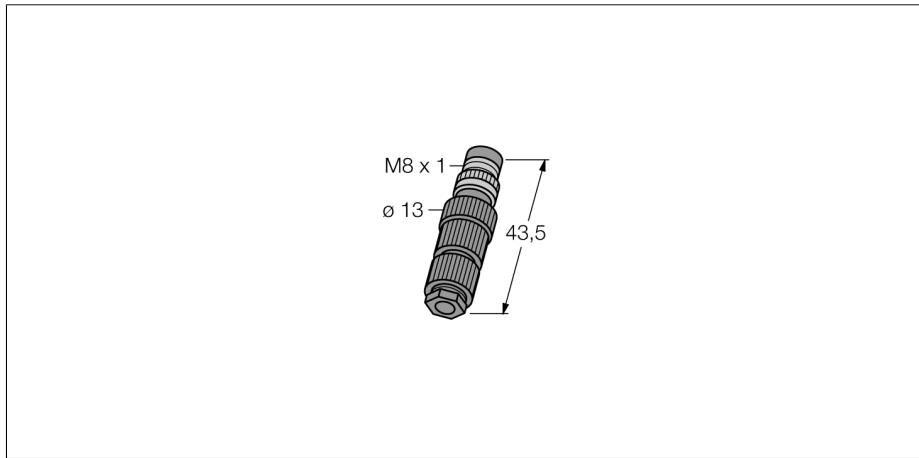
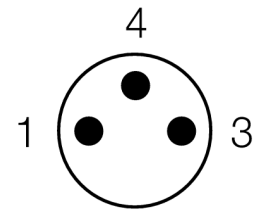


**M8 x 1 / Ø 8 mm round connector
male, straight, customizable
HS 5131-0**

- Metal coupling nut
- Protection class IP67
- Penetration technology
- 3-pin
- metr. Screw-in thread M9.5 x 1

Terminal assignment



Type code	HS 5131-0
Ident no.	6902710
Connector A side	field-wireable male connector, M8x1, straight
Number of pins	3
Contacts	metal, CuZn, gold-plated
Contact carriers	plastic, PA, black
Grip	plastic, PA, black
Seal	plastic, Viton
Protection class	IP67, (screwed together)
External diameter of the cable	4... 5mm
Core cross-section/Clamping ability	0.14...0.34mm ²
Screw-in thread	M9,5x1
Connection mode	pin penetration technology
Pollution degree	3
Rated voltage [U_{max}]	60 V
Insulation resistance	≥ 10 ⁶ Ω
Ampacity	4 A
Forward resistance	≤ 5 mΩ
Ambient temperature Connector	-25... +70°C