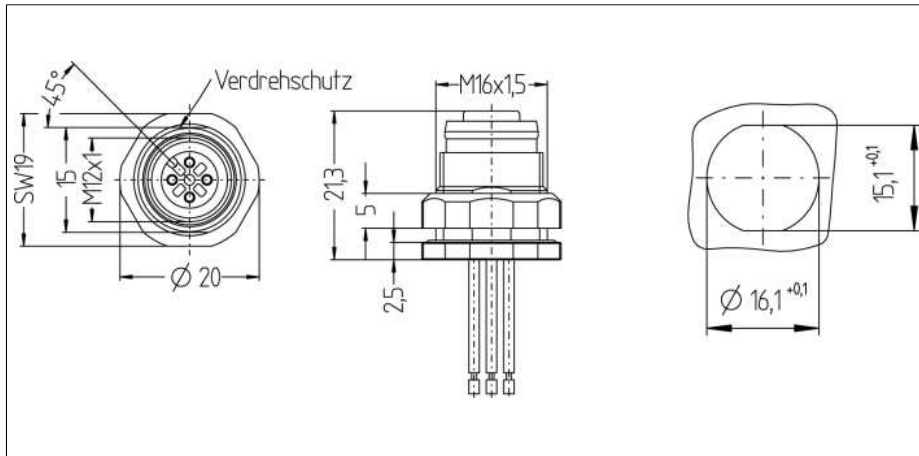
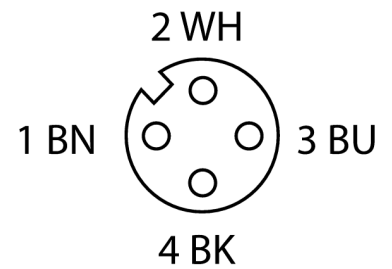


**Round connector
female flange M12 x 1 for backplane mounting
EC-FKFD4-0,5/16**



- Ready-made round connector
- Protection class IP67
- Backplane mounting
- Connected via strands
- Also available with print or solder contacts

Wiring diagram



Type code	EC-FKFD4-0,5/16
Ident no.	8027548
Connector A side	female connector, M12 x 1, axial
Number of pins	4
Contacts	metal, CuZn, gold-plated
Contact carriers	plastic, TPU, black
Grip	metal, CuZn, nickel-plated
Seal	plastic, FPM/FKM
Mechanical lifespan	> 100 mating cycles
Pollution degree	3
Core insulation	PVC
Core colors	BN, WH, BU, BK
Core cross-section	4x0.34mm ²
Litz wire length	0.5 m
Rated voltage [U_{max}]	250 V
Insulation resistance	≥ 10 ⁸ Ω
Ampacity	Max. 4 A
Ambient temperature Connector	-30... +90°C