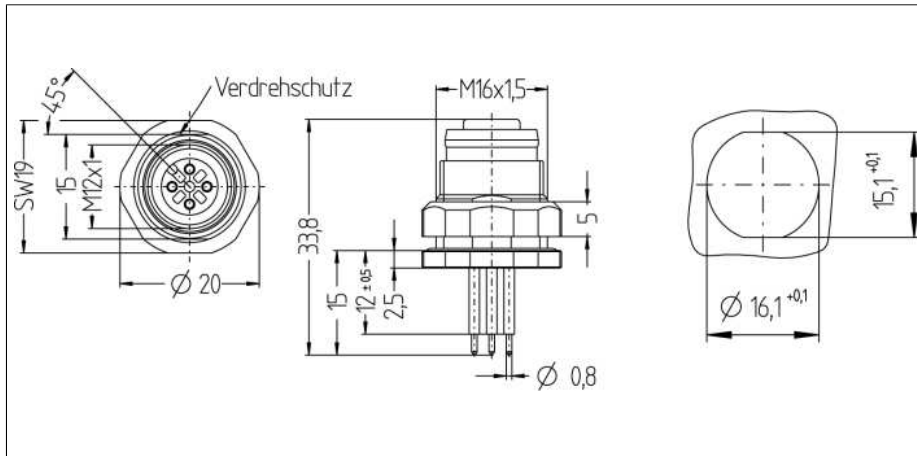


**Round connector
female flange M12 x 1 for backplane mounting
EC-FKFDE3-P/16**

- Ready-made round connector
- Protection class IP67
- Flange housing, stainless steel
- Backplane mounting
- Connection via print contacts
- Also available with solder contacts or strand connection

Wiring diagram



Type code	EC-FKFDE3-P/16
Ident no.	8029695
Connector A side	female connector, M12 x 1, axial
Number of pins	3
Contacts	metal, CuZn, gold-plated
Contact carriers	plastic, TPU, black
Grip	metal, Edelstahl, 1.4404
Seal	plastic, FPM/FKM
Mechanical lifespan	> 100 mating cycles
Pollution degree	3
Rated voltage [Umax]	250 V
Insulation resistance	≥ 10 ⁸ Ω
Ampacity	Max. 4 A
Ambient temperature Connector	-30... +90°C

