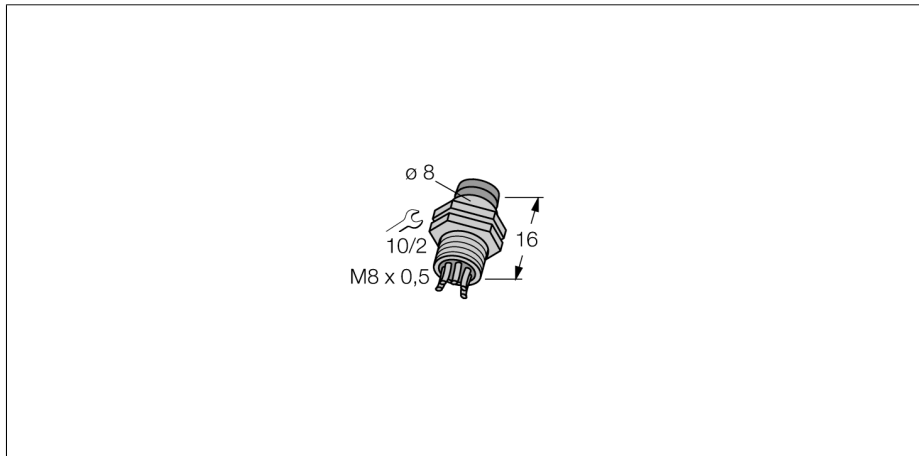
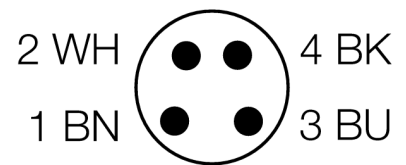


**Ø 8mm male flange connector, with litz wire
PFS4-0,2**

- robust and pre-assembled round connector
- Degree of protection IP67
- with 0.2 m litz wire
- also available with other litz wire lengths

Wiring diagram



Type code	PFS4-0,2
Ident no.	8008166
Connector A side	Flange connector, Ø 8 mm, with strand
Number of pins	4
Contacts	metal, CuZn, gold-plated
Contact carriers	plastic, PA 6-3-T, black
Screw-in thread seal	plastic, NBR
Flange housing	metal, CuZn, nickel-plated
Protection class	IP67, (plugged)
Screw-in thread	M8x1
Mechanical lifespan	> 100 mating cycles
Pollution degree	3
Core insulation	PVC
Core colors	BN, WH, BU, BK
Core cross-section	4x0.25mm ²
Litz wire arrangement	14x0.15 mm
Litz wire length	0.2 m
Ambient temperature Connector	-30... +90°C

