

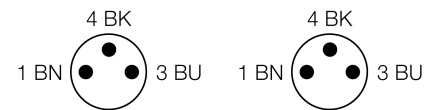
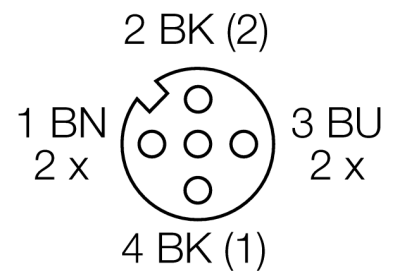
2 port junction systems

Y junction female 12 x 1 connector - 2 male Ø 8 mm connectors

FKM4-2SP3-1/1/XOR

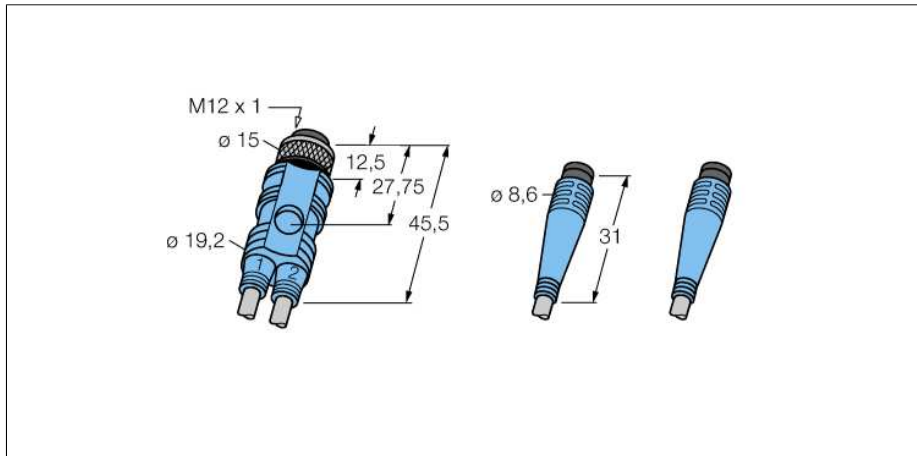
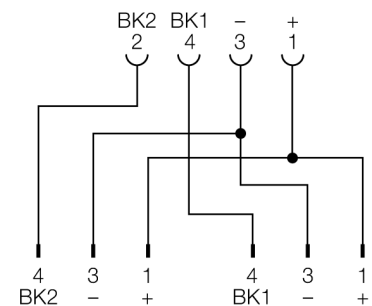
- robust and pre-assembled Y junction
- Degree of protection IP67
- also available with different cable lengths and of different materials
- irradiated PVC
- high short-term temperature resistance (+250 °C)

Wiring diagram



Cable quality XOR

Due to its irradiated cable jacket, this pure PVC cable features increased thermostability at higher temperatures, improved mechanical rigidity, resistance to chemicals and abrasion compared to a standard PVC cable.



Type code	FKM4-2SP3-1/1/XOR
Ident no.	8009610
Junction box	Y-piece, with cable
Number of pins	4/3
Connector B side	female connector, 1x, M12 x 1, straight
Grip	plastic, TPU, blue
Contact carriers	plastic, TPU, black
Contacts	metal, CuZn, gold-plated
Coupling nut/screw	metal, CuZn, nickel-plated
Seal	plastic, FPM/FKM
Protection class	IP67, (plugged)
Mechanical lifespan	> 100 mating cycles
Pollution degree	3
Connector	Connector, 2x, Ø 8 mm, straight
Grip	plastic, TPU, blue
Contact carriers	plastic, PA 6 GF, black
Contacts	metal, CuZn, gold-plated
Protection class	IP67, only in screwed state
Mechanical lifespan	> 100 contact durability
Pollution degree	3/2
Cable	XOR, LifXX, 4.4
Cable length	1/ 1m
Cable sheath	PVC, OG
Core insulation	PVC
Core colors	BN, BU, BK
Core cross-section	4x0.25mm ²
Litz wire arrangement	32x0.1 mm
Bending radius (mobile)	min. 10 x Ø cable
Rated voltage [Umax]	60 V
Ampacity	4 A
Forward resistance	≤ 5 mΩ
Insulation resistance	≥ 10 ⁹ Ω
Ambient temperature junction	-30 ... +90 °C
Cable ambient temperature	-40 ... +80 °C +250 °C short-term