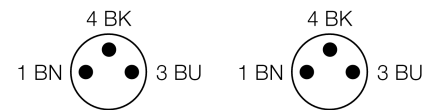
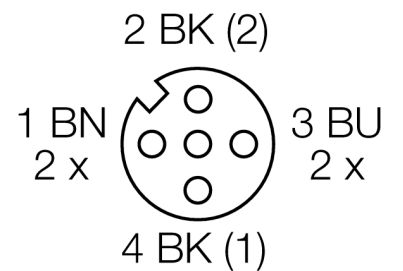


**2 port junction systems**  
**Y junction female 12 x 1 connector - 2 male Ø 8 mm connectors**  
**FKM4-2SP3-0,6/0,6/XOR**

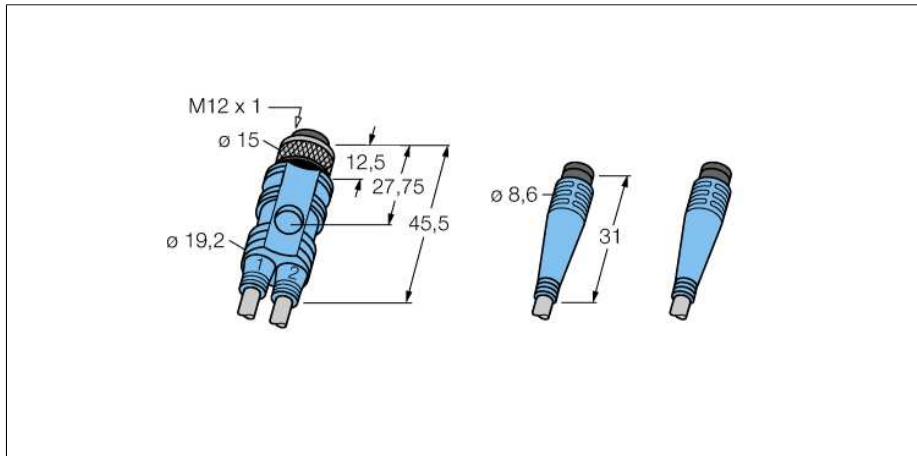
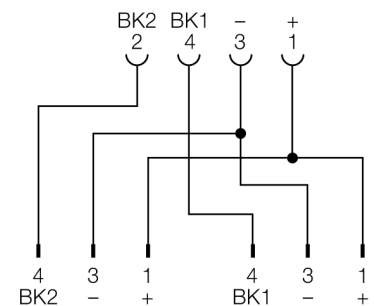
- **robust and pre-assembled Y junction**
- **Degree of protection IP67**
- **also available with different cable lengths and of different materials**
- **irradiated PVC**
- **high short-term temperature resistance (+250 °C)**

**Wiring diagram**



**Cable quality XOR**

Due to its irradiated cable jacket, this pure PVC cable features increased thermostability at higher temperatures, improved mechanical rigidity, resistance to chemicals and abrasion compared to a standard PVC cable.



<b>Type code</b>	FKM4-2SP3-0,6/0,6/XOR
Ident no.	8008090
<b>Junction box</b>	Y-piece, with cable
Number of pins	4/3
Connector B side	female connector, 1x, M12 x 1, straight
Grip	plastic, TPU, blue
Contact carriers	plastic, TPU, black
Contacts	metal, CuZn, gold-plated
Coupling nut/screw	metal, CuZn, nickel-plated
Seal	plastic, FPM/FKM
Protection class	IP67, (plugged)
Mechanical lifespan	> 100 mating cycles
Pollution degree	3
<b>Connector</b>	Connector, 2x, Ø 8 mm, straight
Grip	plastic, TPU, blue
Contact carriers	plastic, PA 6 GF, black
Contacts	metal, CuZn, gold-plated
Protection class	IP67, only in screwed state
Mechanical lifespan	> 100 contact durability
Pollution degree	3/2
<b>Cable</b>	XOR, LifXX, 4.4
Cable length	0.6/ 0.6m
Cable sheath	PVC, OG
Core insulation	PVC
Core colors	BN, BU, BK
Core cross-section	4x0.25mm <sup>2</sup>
Litz wire arrangement	32x0.1 mm
Bending radius (mobile)	min. 10 x Ø cable
<b>Rated voltage [Umax]</b>	60 V
Ampacity	4 A
Forward resistance	≤ 5 mΩ
Insulation resistance	≥ 10 <sup>9</sup> Ω
Ambient temperature junction	-30 ... +90 °C
Cable ambient temperature	-40 ... +80 °C +250 °C short-term