

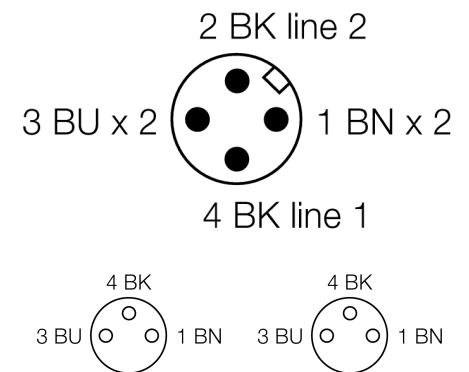
**2 port junction systems**

**Y junction male 12 x 1 connector - 2 female M8 x 1 connectors**

**FSM4-2SKP3-5/5/XOR**

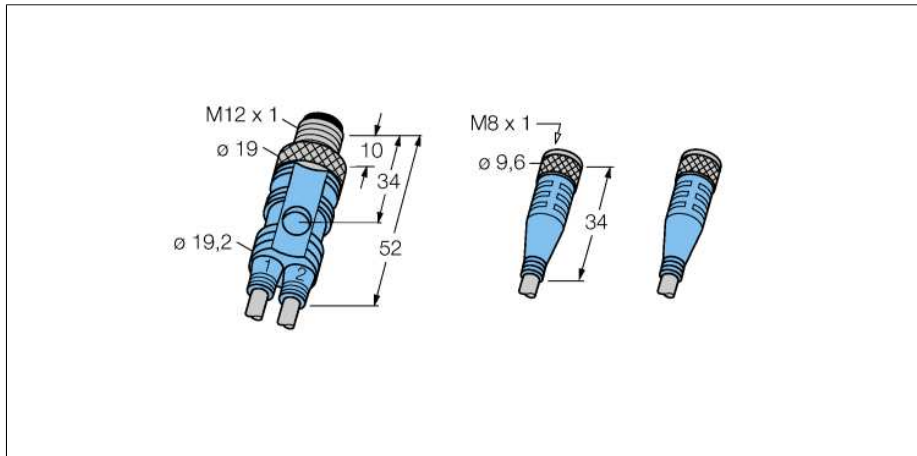
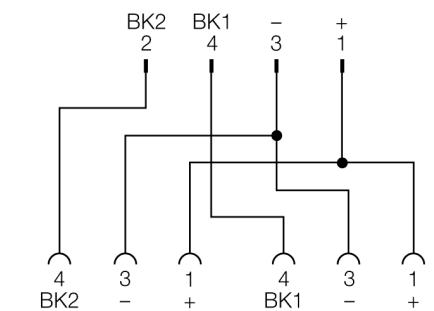
- **robust and pre-assembled Y junction**
- **Degree of protection IP67**
- **also available with different cable lengths and of different materials**
- **irradiated PVC**
- **high short-term temperature resistance (+250 °C)**

**Wiring diagram**



**Cable quality XOR**

Due to its irradiated cable jacket, this pure PVC cable features increased thermostability at higher temperatures, improved mechanical rigidity, resistance to chemicals and abrasion compared to a standard PVC cable.



|                              |                                       |
|------------------------------|---------------------------------------|
| <b>Type code</b>             | FSM4-2SKP3-5/5/XOR                    |
| Ident no.                    | 8009553                               |
| <b>Junction box</b>          | Y-piece, with cable, screwable        |
| Number of pins               | 4/3                                   |
| Grip                         | plastic, TPU                          |
| Connector B side             | male connector, 1x, M12 x 1, straight |
| Number of pins               | 3                                     |
| Grip                         | plastic, TPU, blue                    |
| Contact carriers             | plastic, TPU, black                   |
| Contacts                     | metal, CuZn, gold-plated              |
| Coupling nut/screw           | metal, CuZn, nickel-plated            |
| Protection class             | IP67, (screwed together)              |
| Mechanical lifespan          | > 100 mating cycles                   |
| Pollution degree             | 3                                     |
| <b>Connector</b>             | female connector, 2x, M8x1, straight  |
| Polarity                     | 3-pole                                |
| Grip                         | plastic, TPU, blue                    |
| Contact carriers             | plastic, TPU, black                   |
| Contacts                     | metal, CuZn, gold-plated              |
| Coupling nut/screw           | metal, CuZn, nickel-plated            |
| Seal                         | plastic, FKM/FPM                      |
| Protection class             | IP67, only in class                   |
| Mechanical lifespan          | > 100 contact durability              |
| Pollution degree             | 3                                     |
| <b>Cable</b>                 | XOR, LifXX, 4.4                       |
| Cable length                 | 5/ 5m                                 |
| Cable sheath                 | PVC, OG                               |
| Core insulation              | PVC                                   |
| Core colors                  | BN, BU, BK                            |
| Core cross-section           | 4x0.25mm <sup>2</sup>                 |
| Litz wire arrangement        | 32x0.1 mm                             |
| Bending radius (mobile)      | min. 10 x Ø cable                     |
| <b>Rated voltage [Umax]</b>  | 60 V                                  |
| Ampacity                     | 4 A                                   |
| Forward resistance           | ≤ 5 mΩ                                |
| Insulation resistance        | ≥ 10 <sup>9</sup> Ω                   |
| Ambient temperature junction | -30 ... +90 °C                        |
| Cable ambient temperature    | -40... +80 °C<br>+250 °C short-term   |