

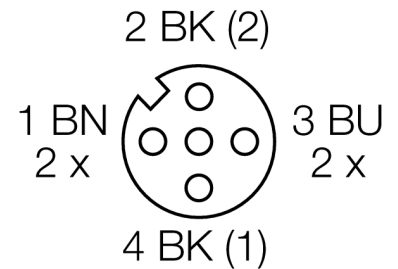
**2 port junction systems**

**Y junction female M12 x 1 connector - 2 male M12 x 1 connectors**

**FKM4-2WAS3-1,5/1,5/S74**

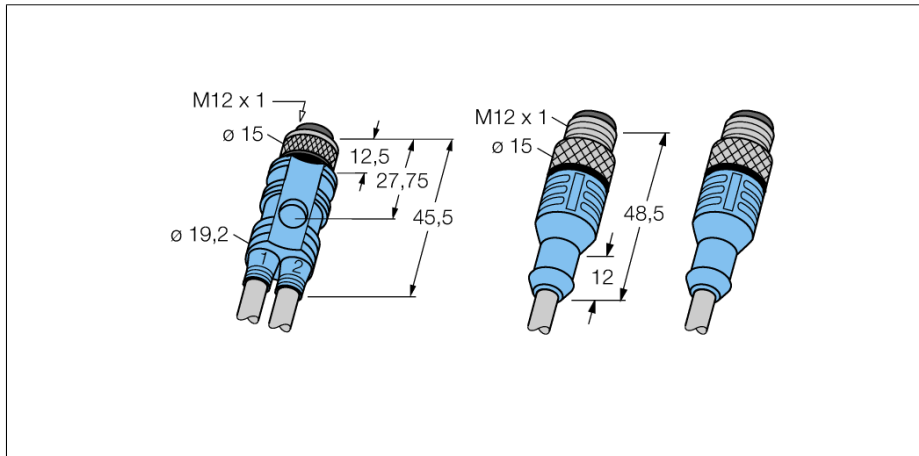
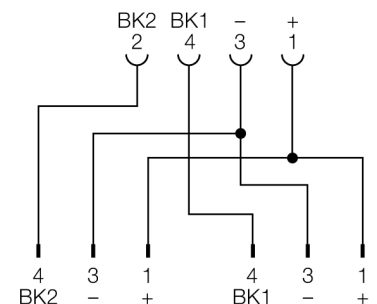
- **robust and pre-assembled Y junction**
- **Degree of protection IP67**
- **also available with different cable lengths and of different materials**
- **PUR cable**
- **PVC and halogen-free**

**Wiring diagram**



**Cable quality S74**

Specially developed, high-flex control cable suited for use on industrial robots, rotation and tilting tables. These cables are used in those applications where bending and torsional stress occur simultaneously and long-life characteristics are indispensable. The PUR cable jacket provides excellent resistance to oils, lubricants, cooling agents and other aggressive media.



<b>Type code</b>	FKM4-2WAS3-1,5/1,5/S74
<b>Ident no.</b>	8008110
<b>Junction box</b>	Y-piece, with cable
Number of pins	4/3
Connector B side	female connector, 1x, M12 x 1, straight
Number of pins	3
Grip	plastic, TPU, blue
Contact carriers	plastic, TPU, black
Contacts	metal, CuZn, gold-plated
Coupling nut/screw	metal, CuZn, nickel-plated
Seal	plastic, FPM/FKM
Protection class	IP67, (plugged)
Mechanical lifespan	> 100 mating cycles
Pollution degree	3
<b>Connector</b>	Connector, 2x, M12 x 1
Polarity	3-pole
Grip	plastic, TPU, blue
Contact carriers	plastic, TPU, black
Contacts	metal, CuZn, gold-plated
Coupling nut/screw	metal, CuZn, nickel-plated
Protection class	IP67, only when plugged in
Mechanical lifespan	> 100 contact durability
Pollution degree	3/2
<b>Cable</b>	S74, D12YSLYK-OB, 4.6
Cable length	1.5/ 1.5m
Cable sheath	PUR, OG
Core insulation	TPE
Core colors	BN, BU, BK
Core cross-section	4x0.34mm <sup>2</sup>
Litz wire arrangement	43x0.1 mm
Bending radius (mobile)	min. 10 x Ø cable
<b>Rated voltage [Umax]</b>	250 V
Ampacity	4 A
Forward resistance	≤ 5 mΩ
Insulation resistance	≥ 10 <sup>8</sup> Ω
Ambient temperature junction	-30 ... +90°C
Cable ambient temperature	-50... +105°C