

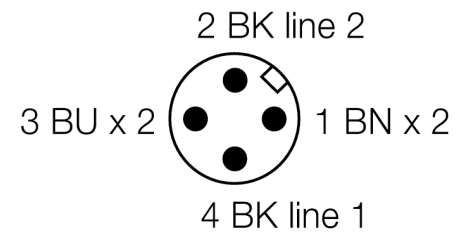
2 port junction systems

Y junction male 12 x 1 connector - 2 female M12 x 1 connectors

FSM4-2WAK3-1,5/1,5/S74

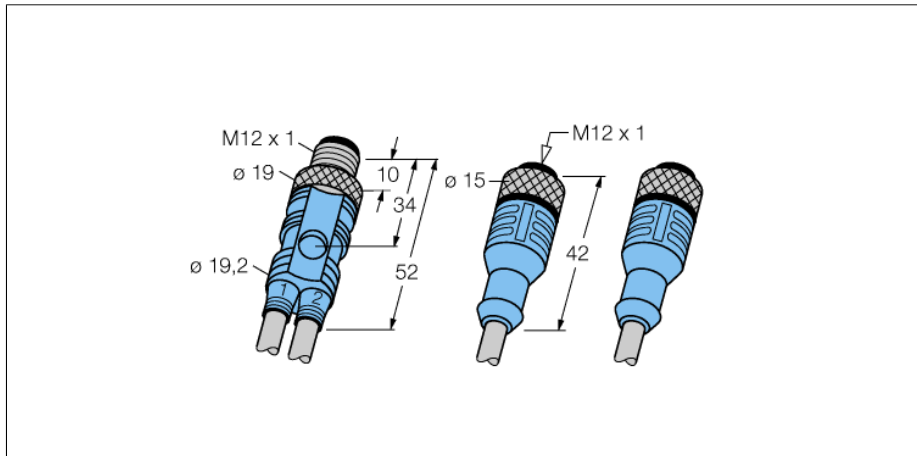
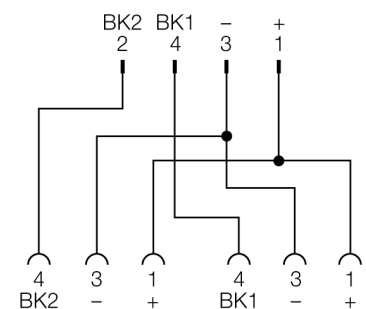
- robust and pre-assembled Y junction
- Degree of protection IP67
- also available with different cable lengths and of different materials
- PUR cable
- PVC and halogen-free

Wiring diagram



Cable quality S74

Specially developed, high-flex control cable suited for use on industrial robots, rotation and tilting tables. These cables are used in those applications where bending and torsional stress occur simultaneously and long-life characteristics are indispensable. The PUR cable jacket provides excellent resistance to oils, lubricants, cooling agents and other aggressive media.



Type code	FSM4-2WAK3-1,5/1,5/S74
Ident no.	8008078
Junction box	Y-piece, with cable
Number of pins	4/3
Grip	plastic, TPU
Connector B side	male connector, 1x, M12 x 1, straight
Number of pins	3
Grip	plastic, TPU, blue
Contact carriers	plastic, TPU, black
Contacts	metal, CuZn, gold-plated
Coupling nut/screw	metal, CuZn, nickel-plated
Protection class	IP67, (screwed together)
Mechanical lifespan	> 100 mating cycles
Pollution degree	3
Connector	female connector, 2x, M12 x 1, straight
Polarity	3-pole
Grip	plastic, TPU, blue
Contact carriers	plastic, TPU, black
Contacts	metal, CuZn, gold-plated
Coupling nut/screw	metal, CuZn, nickel-plated
Seal	plastic, FKM/FPM
Protection class	IP67, only in class
Mechanical lifespan	> 100 contact durability
Pollution degree	3
Cable	S74, D12YSLYK-OB, 4.6
Cable length	1.5/ 1.5m
Cable sheath	PUR, OG
Core insulation	TPE
Core colors	BN, BU, BK
Core cross-section	4x0.34mm ²
Litz wire arrangement	43x0.1 mm
Bending radius (mobile)	min. 10 x Ø cable
Rated voltage [U_{max}]	250 V
Ampacity	4 A
Forward resistance	≤ 5 mΩ
Insulation resistance	≥ 10 ⁹ Ω
Ambient temperature junction	-30 ... +90°C
Cable ambient temperature	-50... +105°C