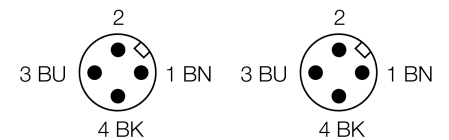
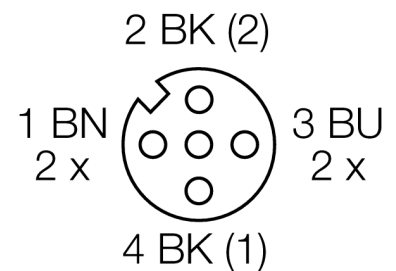


2 port junction systems

Y junction female M12 x 1 connector - 2 male M12 x 1 connectors
FKM4-2WAS3-5/5/S90

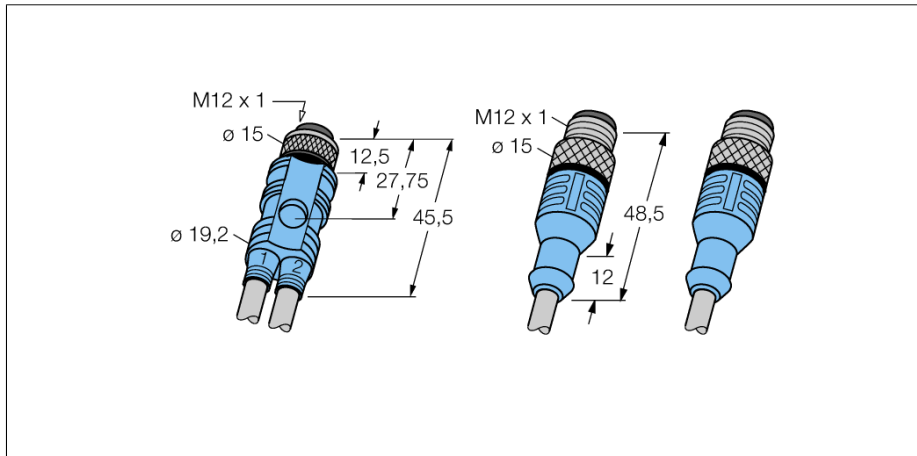
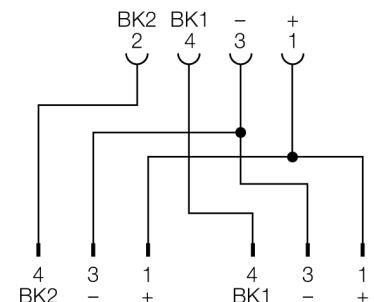
- **robust and pre-assembled Y junction**
- **Degree of protection IP67**
- **also available with different cable lengths and of different materials**
- **PUR cable**

Wiring diagram



Cable quality S90

All-round cable with PUR cable jacket and PVC conductor insulation suited for use in tooling machinery, assembly and production lines and machining applications. The cable features good resistance against oils and chemicals and is highly abrasion-resistant.



Type code	FKM4-2WAS3-5/5/S90
Ident no.	8009633
Junction box	Y-piece, with cable
Number of pins	4/3
Connector B side	female connector, 1x, M12 x 1, straight
Number of pins	3
Grip	plastic, TPU, blue
Contact carriers	plastic, TPU, black
Contacts	metal, CuZn, gold-plated
Coupling nut/screw	metal, CuZn, nickel-plated
Seal	plastic, FPM/FKM
Protection class	IP67, (plugged)
Mechanical lifespan	> 100 mating cycles
Pollution degree	3
Connector	Connector, 2x, M12 x 1
Polarity	3-pole
Grip	plastic, TPU, blue
Contact carriers	plastic, TPU, black
Contacts	metal, CuZn, gold-plated
Coupling nut/screw	metal, CuZn, nickel-plated
Protection class	IP67, only when plugged in
Mechanical lifespan	> 100 contact durability
Pollution degree	3/2
Cable	S90, LiYY11Y, 5.2
Cable length	5/ 5m
Cable sheath	PUR/PVC, GY
Core insulation	PVC
Core colors	BN, BU, BK
Core cross-section	4x0.34mm ²
Litz wire arrangement	43x0.1 mm
Bending radius (mobile)	min. 10 x Ø cable
Rated voltage [Umax]	250 V
Ampacity	4 A
Forward resistance	≤ 5 mΩ
Insulation resistance	≥ 10 ⁸ Ω
Ambient temperature junction	-30 ... +90 °C
Cable ambient temperature	-40... +80 °C