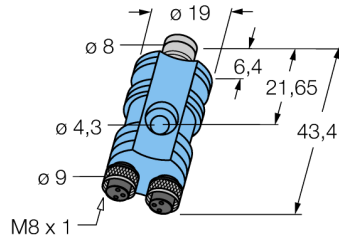
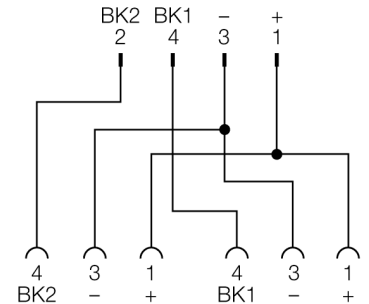
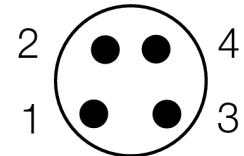


2 port junction systems

Y junction male Ø8mm connector - 2 female M8 x 1 connectors
SESP4S-2SKP3

- robust, plastic-moulded Y junction
- Degree of protection IP67

Wiring diagram



Type code	SESP4S-2SKP3
Ident no.	8008082
Junction box	Y-piece, pluggable, snap-on
Number of pins	4/3
Grip	plastic, TPU, blue
Connector B side	male connector, Ø 8 mm, straight
Number of pins	3
Grip	plastic, TPU, blue
Contact carriers	plastic, PA 6 GF, black
Contacts	metal, CuZn, gold-plated
Coupling nut/screw	plastic, CuZn, nickel-plated
Protection class	IP67, (screwed together)
Mechanical lifespan	> 100 mating cycles
Pollution degree	3
Connector	female connector, 2x, M8x1, straight
Polarity	3-pole
Grip	plastic, TPU, blue
Contact carriers	plastic, TPU, black
Contacts	metal, CuZn, gold-plated
Flange housing	metal, CuZn, nickel-plated
Seal	plastic, FKM/FPM
Protection class	IP67, only in screwed state
Mechanical lifespan	> 100 contact durability
Pollution degree	3
Rated voltage [Umax]	30 V
Ampacity	4 A
Forward resistance	≤ 5 mΩ
Insulation resistance	≥ 10 ⁹ Ω
Ambient temperature junction	-30 ... +90°C