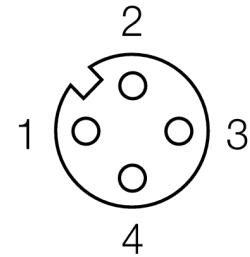
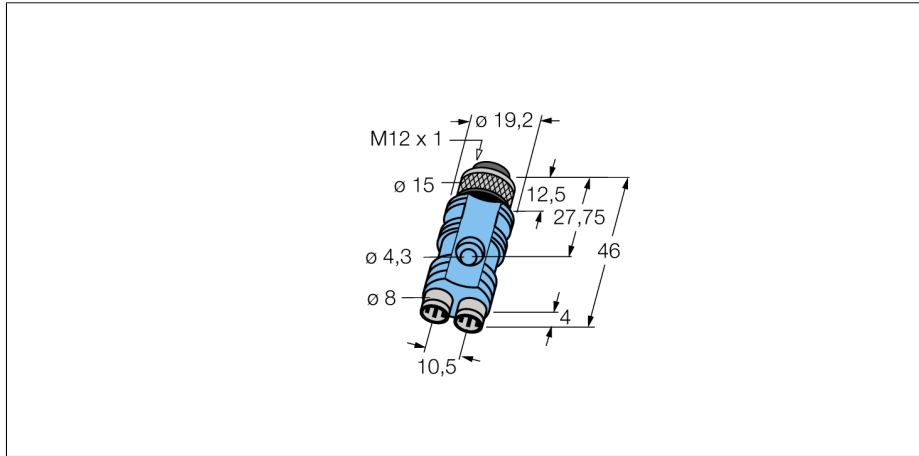


2 port junction systems

Y junction female 12 x 1 connector - 2 male Ø 8mm connectors
FKM4-2ESP3S

- **robust, plastic-moulded Y junction**
- **Degree of protection IP67**

Wiring diagram



Type code	FKM4-2ESP3S
Ident no.	8008080
Junction box	Y-piece, pluggable, snap-on
Number of pins	4/3
Grip	plastic, TPU, blue
Connector B side	female connector, M12 x 1, straight
Number of pins	3
Grip	plastic, TPU, blue
Contact carriers	plastic, TPU, black
Contacts	metal, CuZn, gold-plated
Coupling nut/screw	metal, CuZn, nickel-plated
Seal	plastic, FPM/FKM
Protection class	IP67, (plugged)
Mechanical lifespan	> 100 mating cycles
Pollution degree	3
Connector	Connector, 2x, Ø 8 mm, straight
Polarity	3-pole
Grip	plastic, TPU, blue
Contact carriers	plastic, PA 6 GF, black
Contacts	metal, CuZn, gold-plated
Protection class	IP67, only in screwed state
Mechanical lifespan	> 100 contact durability
Pollution degree	3/2
Rated voltage [Umax]	60 V
Ampacity	4 A
Forward resistance	≤ 5 mΩ
Insulation resistance	≥ 10 ⁹ Ω
Ambient temperature junction	-30 ... +90°C

