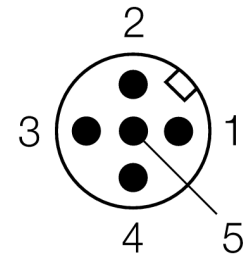
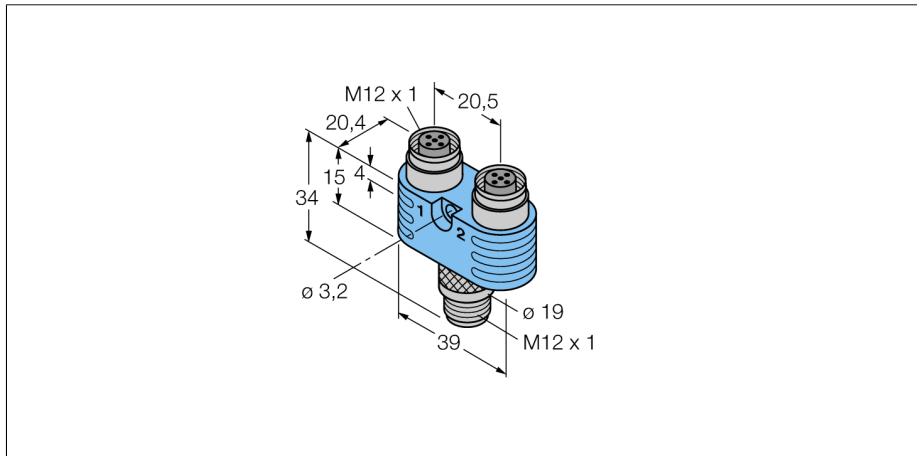


**2 port junction systems**

**Y junction male 12 x 1 connector - 2 female M12 x 1 connectors**  
**MB-FSM5-2FKM5.4**

- robust, plastic-moulded Y junction
- Degree of protection IP67

**Wiring diagram**



<b>Type code</b>	MB-FSM5-2FKM5.4
Ident no.	8024643
<b>Junction box</b>	
Number of pins	Y-piece, pluggable, screwable 5/4
Grip	plastic, TPU, blue
Connector B side	male connector, M12 x 1, straight
Number of pins	4
Grip	plastic, TPU, blue
Contact carriers	plastic, TPU, black
Contacts	metal, CuZn, gold-plated
Coupling nut/screw	metal, CuZn, nickel-plated
Protection class	IP67, (screwed together)
Mechanical lifespan	> 100 mating cycles
Pollution degree	3
<b>Connector</b>	
Polarity	female connector, 2x, M12 x 1, straight 4-pole
Grip	plastic, TPU, blue
Contact carriers	plastic, TPU, black
Contacts	metal, CuZn, gold-plated
Flange housing	metal, CuZn, nickel-plated
Seal	plastic, FKM/FPM
Protection class	IP67, only in screwed state
Mechanical lifespan	> 100 contact durability
Pollution degree	3
<b>Rated voltage [U<sub>max</sub>]</b>	
Ampacity	60 V 4 A
Forward resistance	≤ 5 mΩ
Insulation resistance	≥ 10 <sup>9</sup> Ω
Ambient temperature junction	-30 ... +90°C

