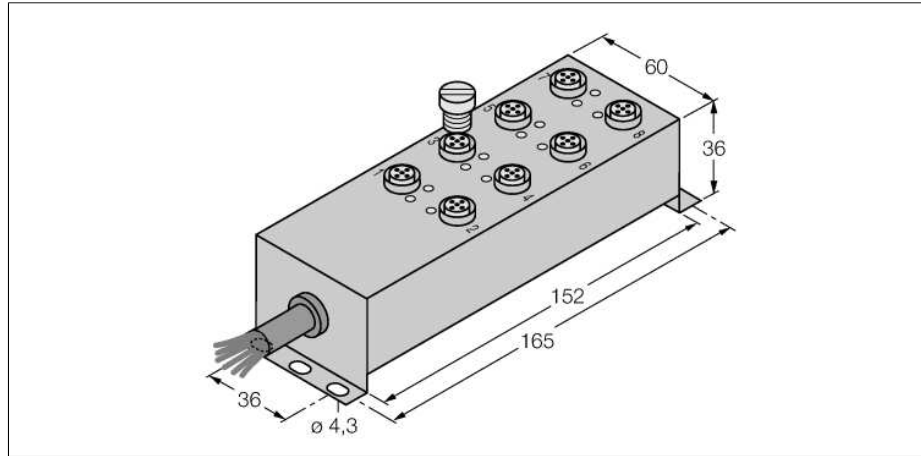
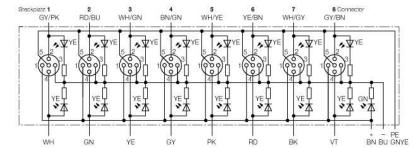
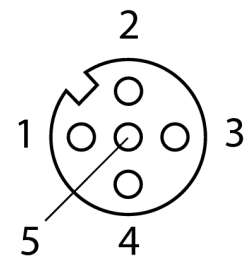


**actuator/sensor junction systems, M12 x 1
8-port box, with integral cable, stainless steel version
FB-8M12-5P3-15/P00**



- **robust, fully encapsulated actuator/sensor box**
- **degree of protection IP67 and IP69K**
- **also available with different cable lengths and of different materials**
- **particularly suited for use in the food industry**
- **PVC cable**

Wiring diagram



Type code	FB-8M12-5P3-15/P00
Ident no.	8024411
I/O junction box	8-port, with integral homerun cable
Housing	stainless steel, 1.4404, silver
Number of pins	4 + PE
Operating voltage	LED green
Display switch state	LED yellow
Number of LEDs	17
Switching function	pnp
I/O port	female connector, M12 x 1
Polarity	4-pole + PE
Thread insert	stainless steel, 1.4404
Contact carriers	plastic, PVC, black
Contacts	metal, CuZn, gold-plated
Seal	plastic, EPDM
Mechanical lifespan	> 50 mating cycles
Pollution degree	3
Cable	P00, LifYY, 11.6
Cable length	15m
Cable sheath	PVC, BK
Core insulation	PVC
Core colors	VT, RD, GY, GN, BK, WH, PK, YE, RDBU, GYPK, WHGN, WHYE, WHGY, YE/BN, BNGN, GYBN, BN, BU, GNYE
Core cross-section	16x0.5mm ²
Litz wire arrangement	64x0.1 mm
Core cross-section PE	3x1mm ²
Litz wire design PE	128x0.1mm
Bending radius (mobile)	min. 10 x Ø cable
Rated voltage [Umax]	10 30V
Ampacity	4 A per signal contact, total current 12 A
Forward resistance	≤ 5 mΩ
Insulation resistance	≥ 10 ⁸ Ω
Ambient temperature junction	0 ... +60°C
Cable ambient temperature	-25... +70°C
Degree of protection	IP69K
	only in screwed-on condition
Pollution degree	2