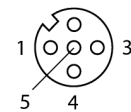


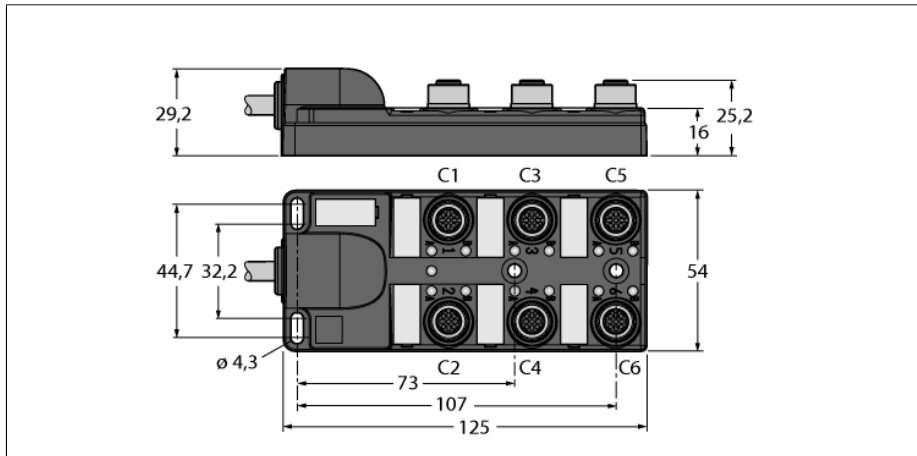
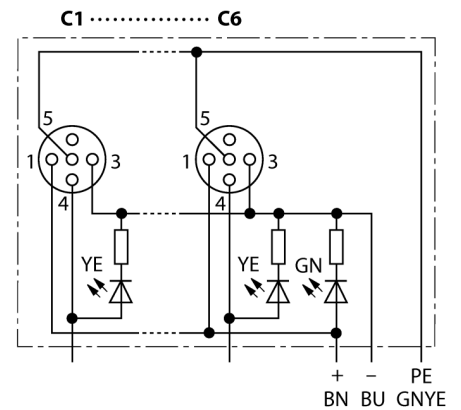
**Passive actuator/sensor junction box, M12 x 1  
6-port, with integral homerun cable  
TB-6M12-4P2-5/TXL**

- Housing material: Nylon
- Housing color: black
- Protection class IP67
- RoHS conform
- cULus approval submitted
- Qualified for drag chain use
- LED (PNP circuit)
- I/O port (number of pins): 3-pin + PE

I/O port M12 x 1



circuit diagram



<b>Type code</b>	TB-6M12-4P2-5/TXL
Ident no.	6611931
<b>I/O junction box</b>	6-port, with integral homerun cable
Housing	plastic, PA 6 GF, black
Operating voltage	LED green
Display switch state	LED yellow
Number of LEDs	7
Switching function	pnnp
I/O port	female connector, M12 x 1
Number of pins	3+PE
Thread insert	metal, CuZn, nickel-plated
Contact carriers	plastic, PA, black
Contacts	metal, CuZn, gold-plated
Seal	plastic, FPM (Viton)
Mechanical lifespan	> 100 mating cycles
<b>Cable length</b>	5m
Core colors	WH, GN, YE, GY, PK, RD
Core cross-section	6x0.82mm <sup>2</sup>
<b>Rated voltage [U<sub>max</sub>]</b>	10  30V
Ampacity	2 A per signal contact, total current 9 A
Forward resistance	≤ 5 mΩ
Insulation resistance	≥ 10 <sup>9</sup> Ω
Ambient temperature junction	-40 ... +85°C
Degree of protection	IP67
Pollution degree	only in screwed-on condition 3

**Passive actuator/sensor junction box, M12 x 1  
6-port, with integral homerun cable  
TB-6M12-4P2-5/TXL**

**Wiring**

Port/Pin	C1/4	C2/4	C3/4	C4/4	C5/4	C6/4
M23 flange	1	2	3	4	5	6
Cable	WH	GN	YE	GY	PK	RD

Power C1-C6	24 V	0 V	PE
M23 flange	11	9 + 10	12
Cable	BN	BU	GNYE

**Scope of delivery**

Device	Quantity	Description
Junction box	1	Passive actuator/sensor junction box
VZ 3	2	Closure caps for female M12
KS9/20	7	Labels

**Accessories**

Ident no.	Designation	Description
6900197	CK12-0	Field-wireable female M23, 12-pin, straight
6931889	CS12-0	Field-wireable male M23, 12-pin, straight
6625616	RKC5T-2-RSC5T/TXL	Actuator/sensor cable, female M12 - male M12, straight, 5-pin, 2 m *
8000004	VZ 3	Closure caps for female M12
8015002	KS9/20	Labels

\* Other lengths available on request