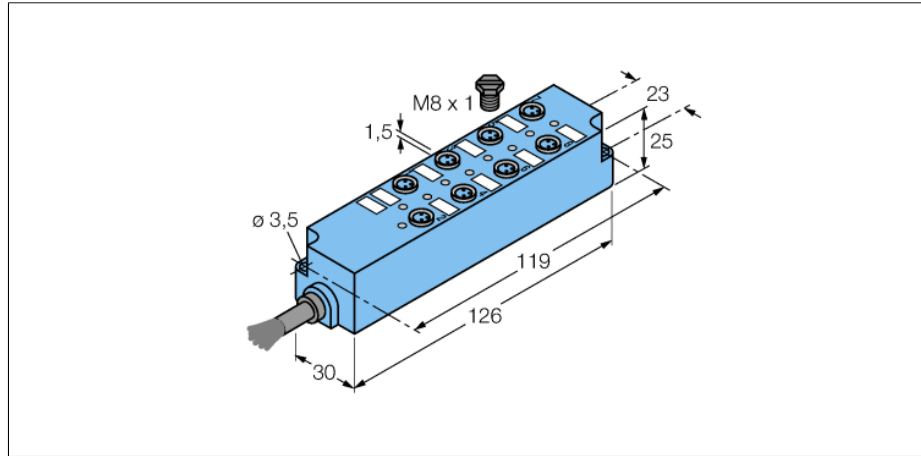
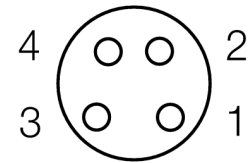


**actuator/sensor junction systems, M8 x 1/Ø 8mm
8-port box, M8 x 1, with integral cable
8MBM8-4P3-10/S1118**



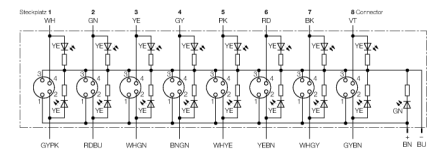
- robust, fully encapsulated actuator/sensor box
- degree of protection IP67
- double-row design for optimum handling
- also available with different cable lengths and of different materials
- pnp and npn circuitry
- PVC cable
- for simple and less demanding applications

Wiring diagram



Cable quality S1118

Pure PVC cable, resistant to average mechanical strain, for use in packaging machinery as well as assembly and production lines. Good resistance against acids and alkalis and thus suited for use in the food and beverage industry.



Type code	8MBM8-4P3-10/S1118
Ident no.	8025655
I/O junction box	8-port, with integral homerun cable
Housing	plastic, PA 6 GF, blue
Number of pins	4
Operating voltage	LED green
Display switch state	LED yellow
Switching function	pnp, npn version also available
I/O port	female connector, M8 x 1
Polarity	4-pole
Connector B side	female connector
Thread insert	metal, CuZn, nickel-plated
Contact carriers	plastic, PA 6 GF, blue
Contacts	metal, CuZn, gold-plated
Seal	plastic, FPM/FKM
Mechanical lifespan	> 100 mating cycles
Pollution degree	3
Cable	S1118, LifYY, 8.5
Cable length	10m
Cable sheath	PVC, BK
Core insulation	PVC
Core colors	VT, RD, GY, RD/BU, GN, GY/PK, WH/GN, WH/YE, WH/GY, BK, YE/BN, BN/GN, WH, YE, PK, GY/BN, BU, BN
Core cross-section	16x0.25mm ²
Litz wire arrangement	2x0.5mm ² 32x0.1 mm 64x0.1mm
Bending radius (mobile)	min. 10 x Ø cable
Rated voltage [Umax]	10 30V
Ampacity	2 A per signal contact, total current 6 A
Forward resistance	≤ 5 mΩ
Insulation resistance	≥ 10 ⁸ Ω
Ambient temperature junction	-30 ... +90°C
Cable ambient temperature	-40... +80°C
Degree of protection	IP67
	only in screwed-on condition
Pollution degree	3